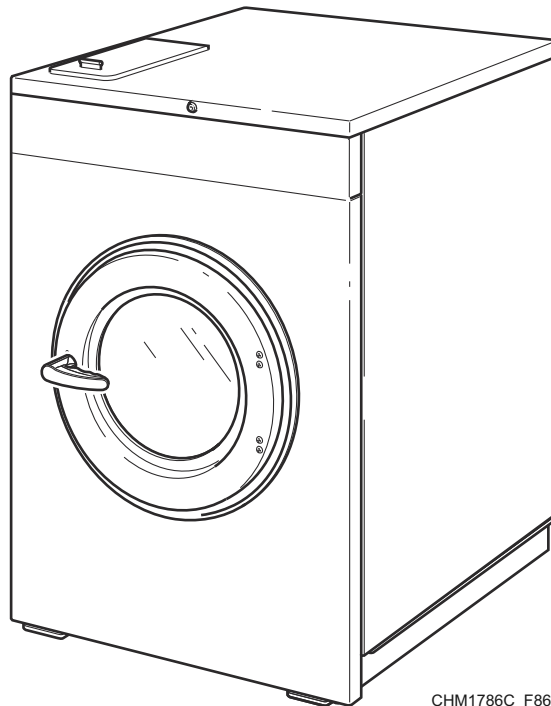


Washer-Extractor

Cabinet Hardmount

Design 2 and 3 Models

Refer to Page 3 for Model Numbers



CHM1786C_F8639901

Table of Contents

Title	Page
Parts Ordering Information.....	2
Serial Plate Location	2
Model Identification	3
Product Overview for M9, M30, Galaxy 400, Galaxy 600, Quantum Silver and Quantum Gold	4
Product Overview for M4, Galaxy 200 and Quantum Standard.....	6
Decals	8
Control Module (Drawing 1 of 2)	10
Control Module (Drawing 2 of 2)	12
Flush Mount Coin Meter Assembly - Single Drop	14
Flush Mount Coin Meter Assembly - Dual Drop.....	16
Electronic Coin Meter Assembly	18
Card Reader	20
Optional Coin Box	22
Front Panel, Control Panel and Control Panel Overlays - Coin and Remote Central Pay Models	24
Front Panel, Control Panel and Control Panel Overlays - Card Ready Models.....	26
Panels	28
Door - 20 Pound Models	30
Door - 30 Pound Models	32
Door - 40 and 60 Pound Models	34
Door Lock.....	36
Shell Front and Basket.....	38
Bearing Housing	40
Shell and Frame.....	42
Drain Plumbing	44
Drain Valve Assembly - 20 and 30 Pound Models.....	46
Drain Valve Assembly - 40 and 60 Pound Models.....	48
Steam Filter (Optional) and Water Supply Hose.....	50
Fill Plumbing Assembly.....	52
Double Check Valve	54
Motor, Pulley and Belt (Drawing 1 of 3)	56
Motor, Pulley and Belt (Drawing 2 of 3)	58
Motor, Pulley and Belt (Drawing 3 of 3)	60
Steam Heat Option	62
Electric Heat Option	64
Parts Index.....	67

© Copyright 2017, Alliance Laundry Systems LLC

All rights reserved. No part of the contents of this book may be reproduced or transmitted in any form or by any means without the expressed written consent of the publisher.

Parts Ordering Information

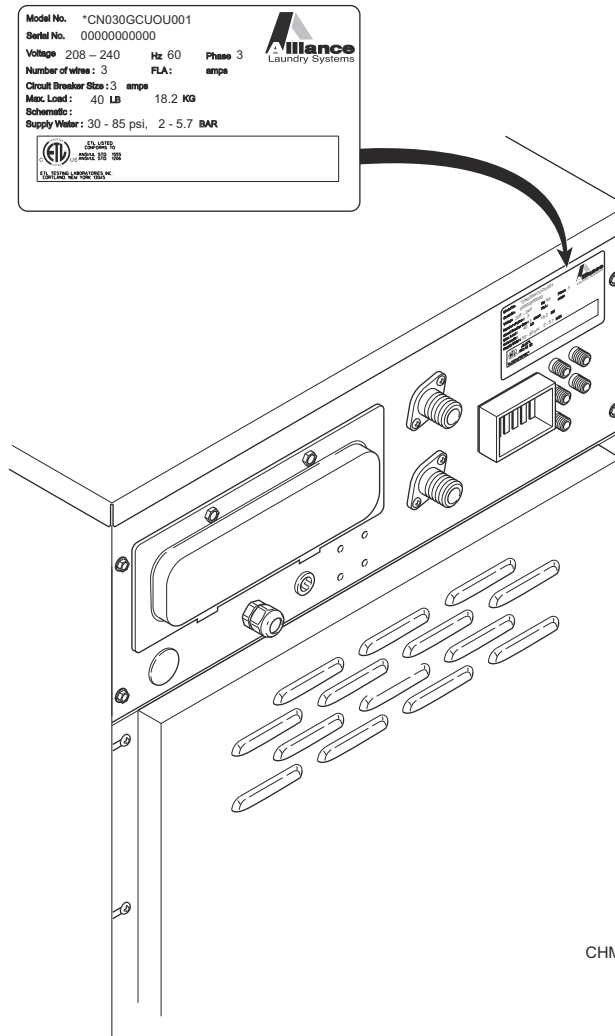
If literature or replacement parts are required, contact the source from whom the machine was purchased or contact Alliance Laundry Systems at (920) 748-3950 for the name and address of the nearest authorized parts distributor.

For technical assistance, call the number listed below:

(920) 748-3121 Ripon, Wisconsin

Serial Plate Location

When calling or writing about your product, be sure to mention model and serial numbers. Model and serial numbers are located on serial plate(s) as shown.



CHM3025P_F8639901

Model Identification

Information in this manual is applicable to these washer-extractor models:

HC040LDF	SCH020LCF	SCL020LCF	SCN020LCF	SCU020LCV
HCD020LDF	SCH020LDF	SCL020LDF	SCN020LCV	SCU020LDV
HCD020LDV	SCH020LDV	SCL020LDV	SCN020LDF	SCU020LEV
HCD030LDF	SCH020LEF	SCL020LEF	SCN020LDV	SCU020LLF
HCD030LDV	SCH020LEV	SCL020LEV	SCN020LEF	SCU020LLV
HCD040LDF	SCH020LLV	SCL020LLV	SCN020LEV	SCU020LXV
HCD040LDV	SCH020LXF	SCL020LXF	SCN020LXF	SCU020LYV
HCD060LDF	SCH020LXV	SCL020LXV	SCN020LYF	SCU030LCV
HCD060LDV	SCH020LYF	SCL020LYF	SCN020LYV	SCU030LDV
SCB040LCF	SCH020LYV	SCL020LYV	SCN030LCF	SCU030LEF
SCB040LCV	SCH030LCF	SCL030LCF	SCN030LCV	SCU030LEV
SCB040LDV	SCH030LCV	SCL030LCV	SCN030LDF	SCU030LLF
SCB040LEF	SCH030LEF	SCL030LEF	SCN030LEF	SCU030LLV
SCB040LEV	SCH030LEV	SCL030LEV	SCN030LDV	SCU030LXV
SCB040LLF	SCH030LXF	SCL030LXF	SCN030LEV	SCU030LYV
SCB040LXV	SCH030LXV	SCL030LXV	SCN030LXF	SCU040LCV
SCB040LYV	SCH030LYF	SCL030LYF	SCN030LXV	SCU040LDV
SCD020LDF	SCH030LYV	SCL030LYV	SCN030LYF	SCU040LEF
SCD020LDV	SCH040LCF	SCL040LCF	SCN030LYV	SCU040LEV
SCD030LDF	SCH040LCV	SCL040LCV	SCN040LCF	SCU040LLF
SCD030LDV	SCH040LEF	SCL040LEF	SCN040LCV	SCU040LLV
SCD040LDF	SCH040LEV	SCL040LEV	SCN040LDF	SCU040LXV
SCD040LDV	SCH040LLF	SCL040LLF	SCN040LDV	SCU040LYV
SCD060LDF	SCH040LXF	SCL040LXF	SCN040LEF	SCU060LCV
SCD060LDV	SCH040LXV	SCL040LXV	SCN040LEV	SCU060LDV
	SCH040LYF	SCL040LYF	SCN040LLF	SCU060LEV
	SCH040LYV	SCL040LYV	SCN040LXF	SCU060LLF
	SCH060LCF	SCL060LCF	SCN040LXV	SCU060LLV
	SCH060LCV	SCL060LCV	SCN040LYF	SCU060LXV
	SCH060LEF	SCL060LEF	SCN040LYV	SCU060LYV
	SCH060LEV	SCL060LEV	SCN060LCF	SCY020LEV
	SCH060LLF	SCL060LLF	SCN060LCV	SCY030LDF
	SCH060LXF	SCL060LXF	SCN060LDF	SCY030LEV
	SCH060LXV	SCL060LXV	SCN060LDV	SCY040LDF
	SCH060LYV	SCL060LYV	SCN060LEF	SCY040LEV
			SCN060LEV	SCY060LEV
			SCN060LXF	
			SCN060LXV	
			SCN060LYF	
			SCN060LYV	

Product Overview for M9, M30, Galaxy 400, Galaxy 600, Quantum Silver and Quantum Gold

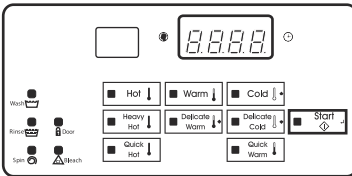
Model No. *CN030GC2U0U001
 Serial No. 0000000000

Voltage 208 – 240 Hz 60 Phase 3
 Number of wires : 3 FLA: amps
 Circuit Breaker Size : 3 amps
 Max. Load : 40 LB 18.2 KG
 Schematic :
 Supply Water : 30 - 85 psi, 2 - 5.7 BAR

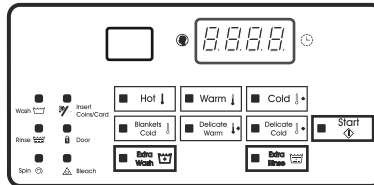
Alliance
 Laundry Systems

ETL LISTED
 CONFORMS TO
 ANSUL STD. 1552
 US ANSUL STD. 1506

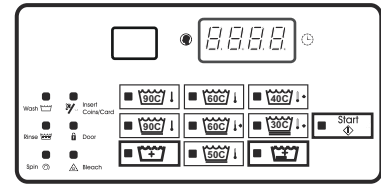
ETL TESTING LABORATORIES INC.
 CORTLAND, NEW YORK 13045



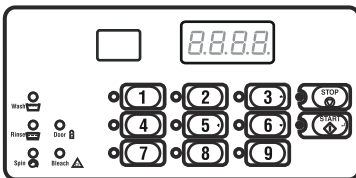
Galaxy 400 Coin



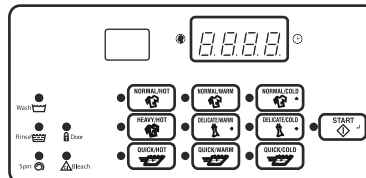
Galaxy 600 Coin (Domestic)



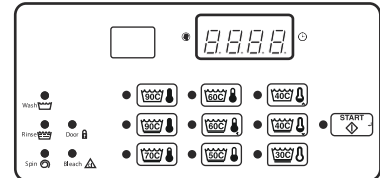
Galaxy 600 Coin (International)



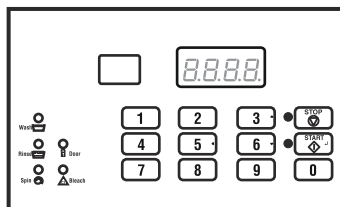
M9/Galaxy 400 OPL/Quantum Silver OPL



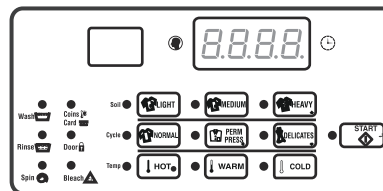
Quantum Silver Coin (Domestic)



Quantum Silver Coin (International)



M30/Quantum Gold OPL



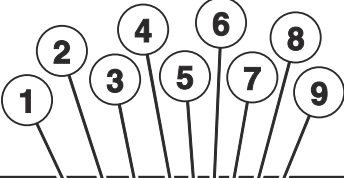
Quantum Gold

CHM3217P_F8639901

Product Overview for M9, M30, Galaxy 400, Galaxy 600, Quantum Silver and Quantum Gold

REF	PART NO.	DESCRIPTION	COMMENTS
1	-	Product Family	CC HC IC SC UC YC
2	-	Market	B (Brazil CE) D (Daiwa) H (China-ROHS ETL) L (International ETL(c)) N (Domestic ETL(c)) U (International CE/ECA) W (WRAS CE) Y (Australia) Z (No Agency International)
3	-	Capacity (Pounds)	020 030 040 060 080 100
4	-	Control	G H J K L W Z
5	-	Actuation	C (Drop Coin Meter) D (Digital Coin Meter) E (Electronic World Drop) L (Prep for Remote/Central Pay) N (Non-Coin OPL) X (Prep for Coin Meter) Y (Prep for Card Reader)
6	-	Speed	F (F-Speed) V (V-Speed)
7	-	Voltage	B (120/60/1/2) N (440-480/50/60/3) P (380-415/50/60/3) Q (200-208/220-240/50/60/3) X (200-208/220-240/50/60/1/3)
8	-	Side Panel	B (Chrome Door/Stainless Steel Sides) C (Chrome Door) U (Standard) 1 (Stainless Steel)
9	-	Design	2 3

Product Overview for M4, Galaxy 200 and Quantum Standard




Model No. *CN030GC2U0U001
Serial No. 00000000000

Voltage 208 – 240 **Hz** 60 **Phase** 3
Number of wires : 3 **FLA :** **amps**


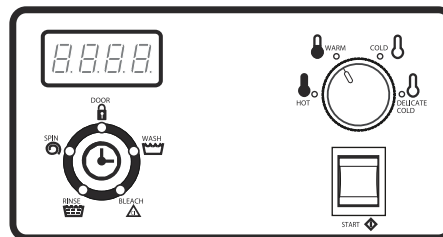
Circuit Breaker Size : 3 amps
Max. Load : 40 LB 18.2 KG

Schematic :
Supply Water : 30 - 85 psi, 2 - 5.7 BAR



ETL LISTED
 CONFORMS TO
 ANS/UL STD. 1955
 US ANS/UL STD. 1906

ETL TESTING LABORATORIES, INC.
 CORTLAND, NEW YORK 13045

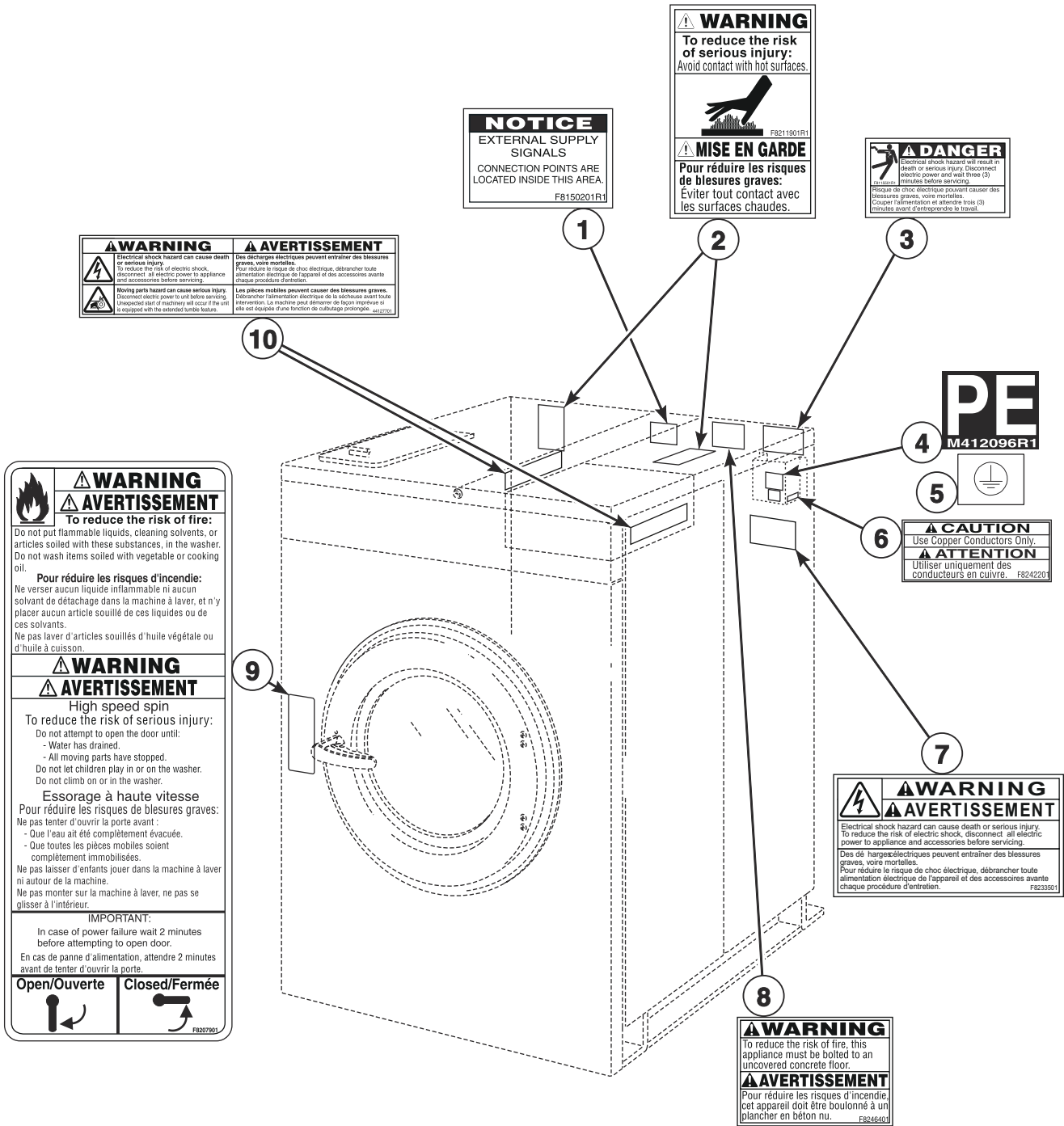
M4/Galaxy 200/Quantum Standard

CHM3218P_F8639901

Product Overview for M4, Galaxy 200 and Quantum Standard

REF	PART NO.	DESCRIPTION	COMMENTS
1	-	Product Family	CC HC IC SC UC YC
2	-	Market	B (Brazil CE) D (Daiwa) H (China-ROHS ETL) L (International ETL(c)) N (Domestic ETL(c)) U (International CE/ECA) W (WRAS CE) Y (Australia) Z (No Agency International)
3	-	Capacity (Pounds)	020 030 040 060 080 100
4	-	Control	G H J K L W Z
5	-	Actuation	C (Drop Coin Meter) D (Digital Coin Meter) E (Electronic World Drop) L (Prep for Remote/Central Pay) N (Non-Coin OPL) X (Prep for Coin Meter) Y (Prep for Card Reader)
6	-	Speed	F (F-Speed) V (V-Speed)
7	-	Voltage	B (120/60/1/2) N (440-480/50/60/3) P (380-415/50/60/3) Q (200-208/220-240/50/60/3) X (200-208/220-240/50/60/1/3)
8	-	Side Panel	B (Chrome Door/Stainless Steel Sides) C (Chrome Door) U (Standard) 1 (Stainless Steel)
9	-	Design	2 3

Decals

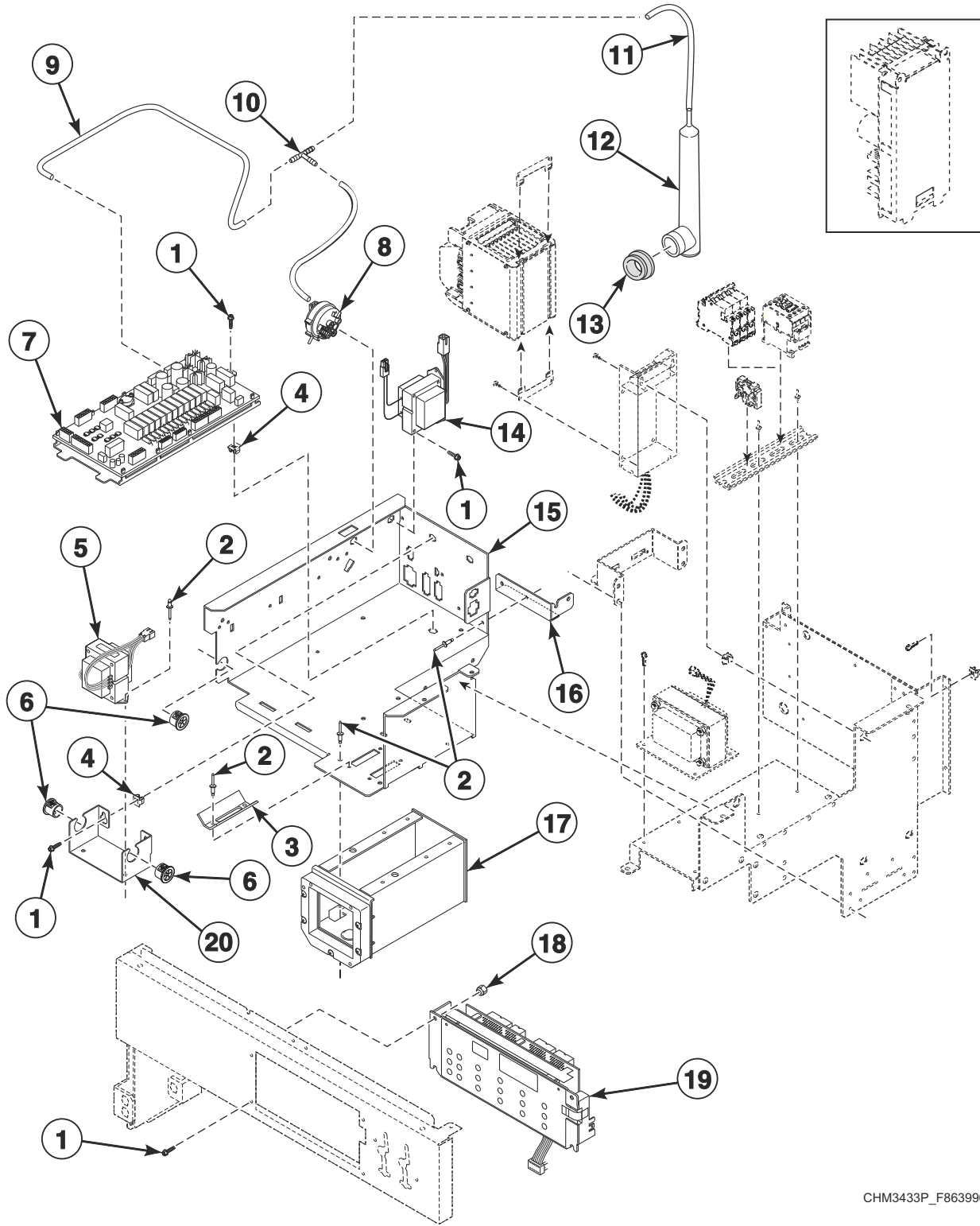


CHM3027P_F8639901

Decals

REF	PART NO.	DESCRIPTION	COMMENTS
1	F8150201	External Supply Connection Decal	
2	F8211901	Hot Surface Warning Plate	
3	F8115501	Electric Shock Danger Label	
4	M412096	Earth Terminal Sticker	
5	F230739	Ground Decal	
6	F8242201	Use Copper Conductors Only Caution Label	
7	F8233501	Warning Label	
8	F8246401	Mount On Concrete Warning Label	
9	F8207901	Warning Label	
10	44127701	Warning Label	

Control Module (Drawing 1 of 2)

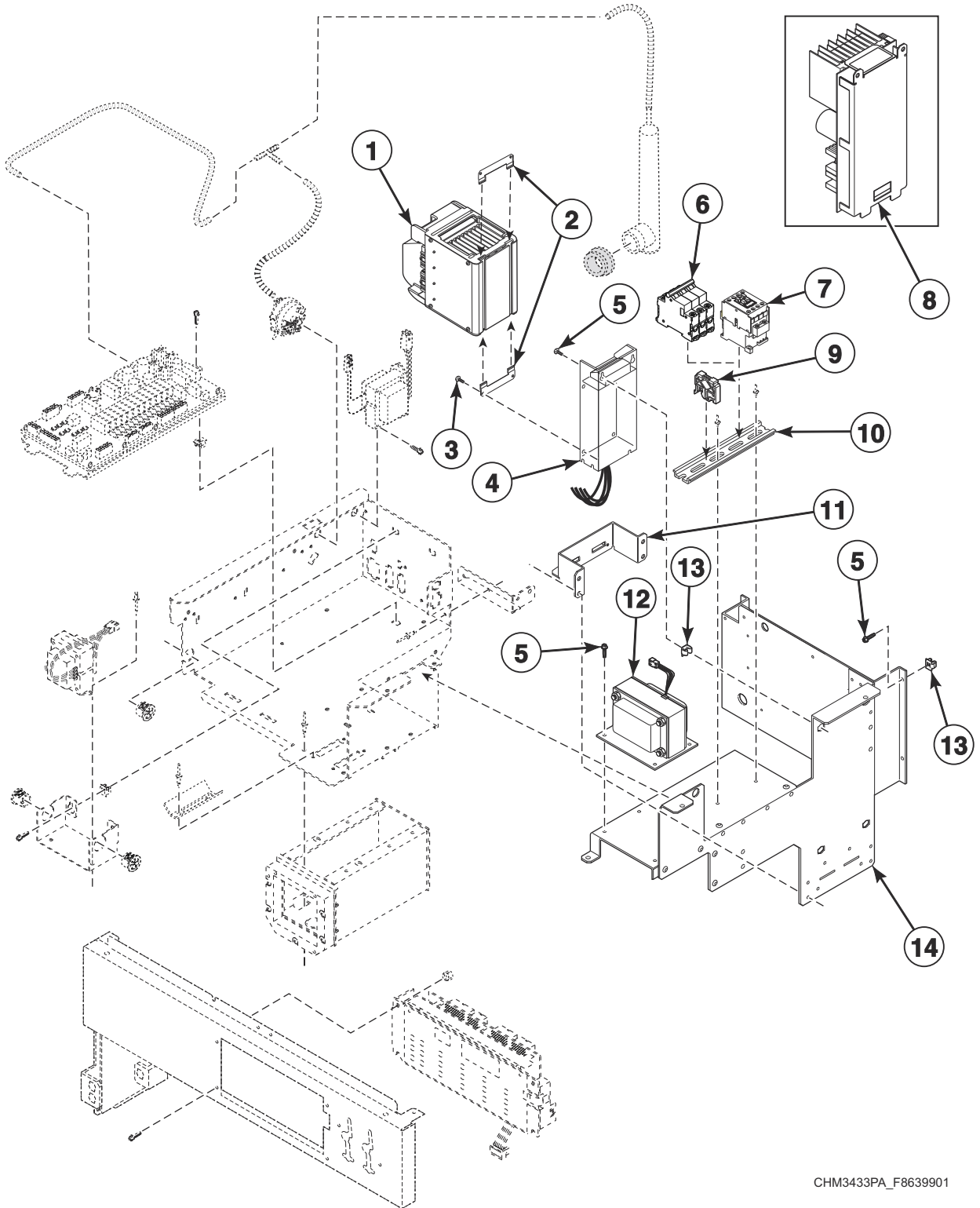


CHM3433P_F8639901

Control Module (Drawing 1 of 2)

REF	PART NO.	DESCRIPTION	COMMENTS
	F8028701	Output/Logic Harness	
	F8028101P	Machine Size Configuration Harness	20 pound models
	F8028103P	Machine Size Configuration Harness	30 pound models
	F8028104P	Machine Size Configuration Harness	40 pound models
	F8028105P	Machine Size Configuration Harness	60 pound models
	F8261501P	Control Tray Harness	40 and 60 pound models
	M413506	Jumper Harness Assembly	208 Volt
	M413507	Jumper Configuration Assembly	240 Volt
	F8191201P	External Supply Harness	
	F937P3	External Supply Kit	Includes items 1, 14, 430497 Screw, F8136601 Screw, F8161701 Label, F8189401 Control Assembly and F8191201P External Supply Harness
	203346	USB IR Interface Kit	
1	F8206901	Screw	
2	70058501	Pop Rivet	
3	F8170801	Coin Chute	
4	70030501	Expansion Clip	
5	803527P	Transformer	
6	44071501	Snap Bushing	
7	F980P3	Control Assembly Kit	Includes item 10 and F8108001 Output Assembly
	802493	Fuse	2.5 Amp
	802492	Fuse	5 Amp
8	F8404401	Water Pressure Switch	Electric and steam heat
9	F8153901	Tubing	
10	F8246601	Tee	Electric and steam heat
	F8431001	Hose Barb Connector	Standard
11	F8405301	Hose	
12	30907	Pressure Bulb	
13	F8433001	Grommet	
14	201616P	Transformer	External supply
15	F8359702	Control Tray Assembly	20 and 30 pound models; Design 2; Includes items 3 and 17
	F8359707	Control Tray Assembly	20 and 30 pound models; Design 3; Includes items 3 and 17
	F8359704	Control Tray Assembly	All other models; Includes items 3, 15 and 17
16	F8375201	Tray Support Bracket	
17	F8182501	Coin Vault Assembly	20 and 30 pound models; Design 2
	F8182601	Coin Vault Assembly	All other models
18	F430232	Nut	
19	F103P3	Front End Control Kit	F-speed models; Includes F8028701 Output/Logic Harness
	F102P3	Front End Control Kit	V-speed models; Includes F828701 Output/Logic Harness
20	F8599801	Bracket	

Control Module (Drawing 2 of 2)

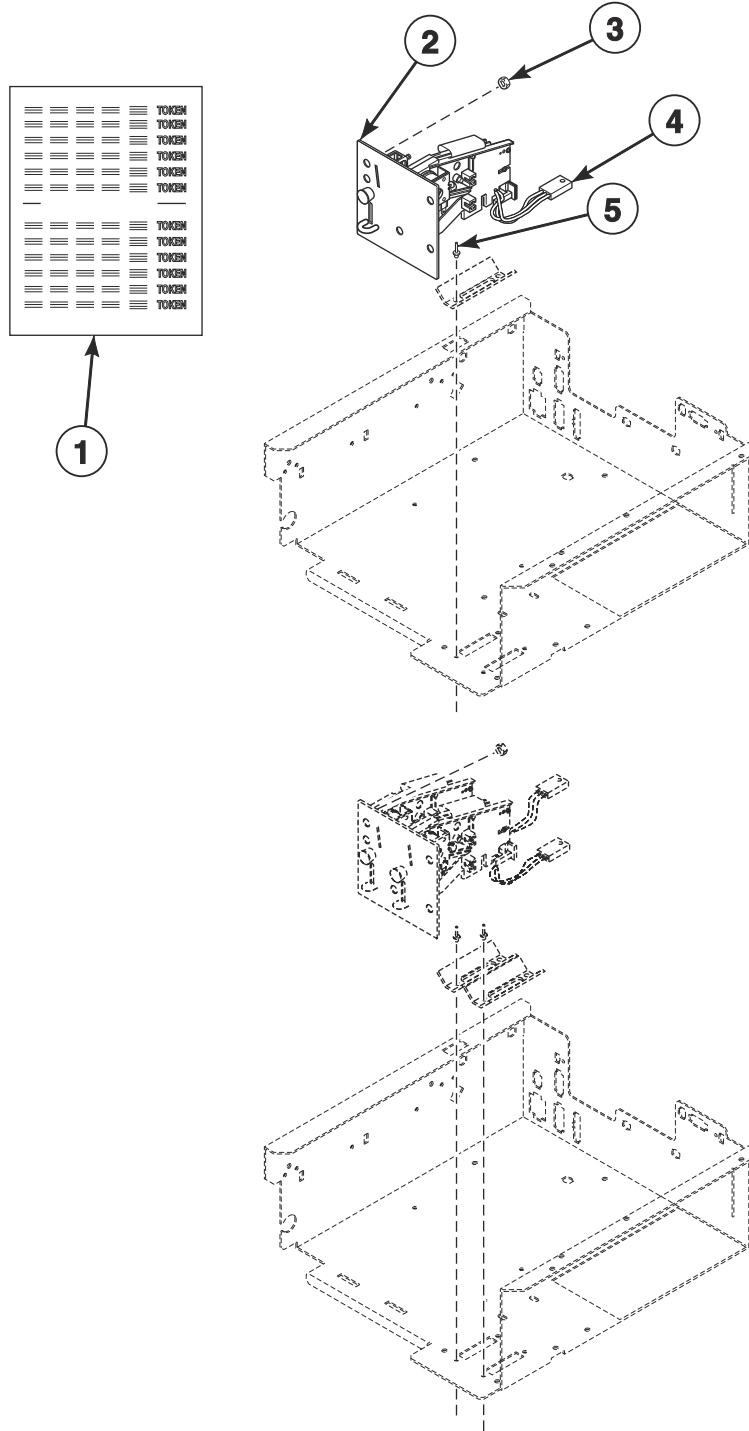


CHM3433PA_F8639901

Control Module (Drawing 2 of 2)

REF	PART NO.	DESCRIPTION	COMMENTS
	F8385102	Communication Harness	
	F8028701	Output/Logic Harness	
	F8028101P	Machine Size Configuration Harness	20 pound models
	F8028103P	Machine Size Configuration Harness	30 pound models
	F8028104P	Machine Size Configuration Harness	40 pound models
	F8028105P	Machine Size Configuration Harness	60 pound models
	F8261501P	Control Tray Harness	40 and 60 pound models
	M413506	Jumper Harness Assembly	208 Volt
	M413507	Jumper Configuration Assembly	240 Volt
	F8191201P	External Supply Harness	
	203346	USB IR Interface Kit	
1	F8303601P	Drive Assembly	N and P-voltage; 5 hp
	F8204701P	Drive Assembly	60 pound models; Q and X-voltage; 3 hp
2	F8322401	Drive Mounting Bracket	Use with item 1
3	503688	Screw	
4	F8053901P	EMI Filter	240 Volt; International models only
	F8053902	EMI Filter	480 Volt; International models only
5	F8206901	Screw	
6	70256901P	Circuit Breaker	Electric and steam heat
7	F330177P	Contacto	
8	F8327301P	Drive Assembly	20, 30 and 40 pound models; B, Q and X-voltage; 2 hp
9	F8449801	End Stop	
10	F8385301	DIN Rail	
11	F8310101	Lower Drive Mounting Bracket	Use with item 8
12	F8401301	Transformer	
13	70030501	Expansion Clip	
14	F8359801	Drive Tray Assembly	20 pound models
	F8359802	Drive Tray Assembly	30 pound models
	F8359803	Drive Tray Assembly	40 and 60 pound models

Flush Mount Coin Meter Assembly - Single Drop



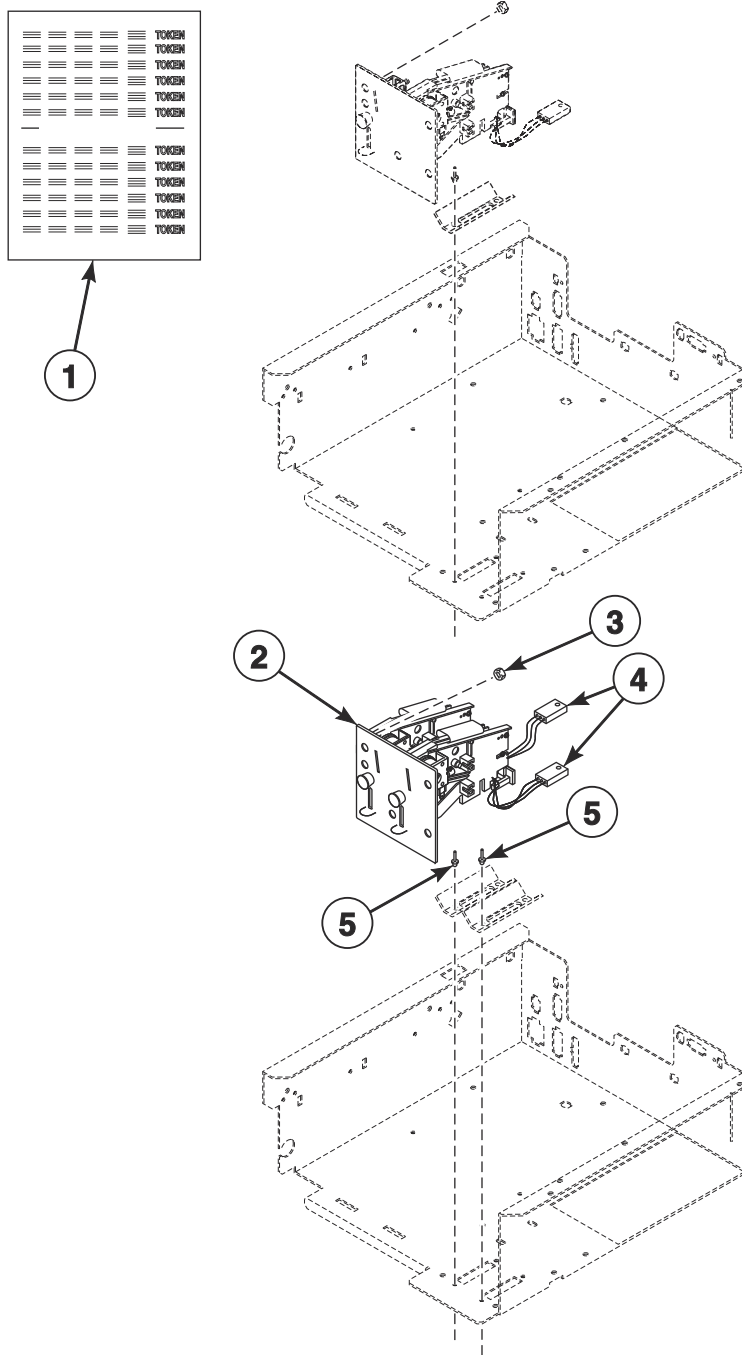
CHM3088P_F8639901

Flush Mount Coin Meter Assembly - Single Drop

REF	PART NO.	DESCRIPTION	COMMENTS
	F200010000P	Coin Meter Assembly	U.S. \$.25; Includes items 2 and 3
	F200010006	Coin Meter Assembly	.800 token; Includes items 2 and 3
	F200010007	Coin Meter Assembly	.880 token; Includes items 2 and 3
	F200010009	Coin Meter Assembly	.990 token; Includes items 2 and 3
	F200010011	Coin Meter Assembly	Jeton WH121 token; Includes items 2 and 3
	F200010012	Coin Meter Assembly	Jeton .08 token; Includes items 2 and 3
1	38725	Coin Identification Paper	
2	38464P	Coin Drop Assembly	Canada .25
	N/A	Coin Drop Assembly	Australia .20
	N/A	Coin Drop Assembly	Belgium 5 franc
	N/A	Coin Drop Assembly	Denmark 2 krone
	N/A	Coin Drop Assembly	United Kingdom 20 pence
	N/A	Coin Drop Assembly	France 2 franc
	N/A	Coin Drop Assembly	Hong Kong 5 dollar
	N/A	Coin Drop Assembly	Italy 500 lirraiget
	N/A	Coin Drop Assembly	Japan 100 yen
	N/A	Coin Drop Assembly	Korea 500 won
	N/A	Coin Drop Assembly	South Africa 2 rand
	N/A	Coin Drop Assembly	Spain 100 peseta
	N/A	Coin Drop Assembly	Thailand 10 baht
	N/A	Coin Drop Assembly	.886 token
	N/A	Coin Drop Assembly	1.000 token
	N/A	Coin Drop Assembly	Jeton 08 token
	70441601P	Coin Drop	U.S. \$.25
	N/A	Coin Drop Assembly	.800 token
	38462P	Coin Drop Assembly	Token; 118-1; .880 diameter x .079 thick; Brass
	38463	Coin Drop Assembly	Token; 118-5; .990 diameter x .081 thick; Silver
	N/A	Coin Drop Assembly	Jeton WH121 token
	N/A	Coin Meter	Jeton .08 token
3	685846	Nut	
4	200674P	Opto Coupler	
5	70058501	Pop Rivet	

N/A = Part no longer available

Flush Mount Coin Meter Assembly - Dual Drop



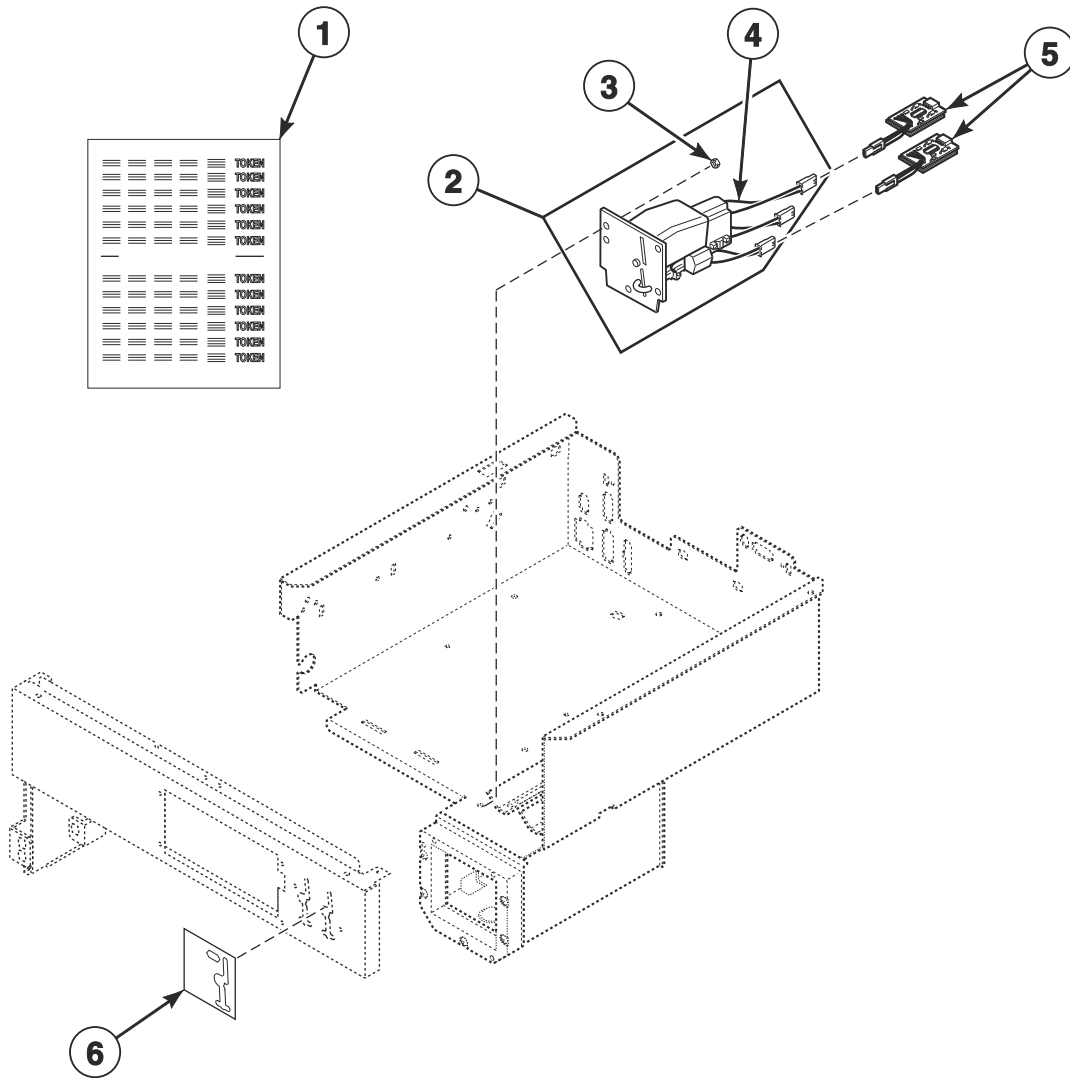
CHM3088PA_F8639901

Flush Mount Coin Meter Assembly - Dual Drop

REF	PART NO.	DESCRIPTION	COMMENTS
	F200010001	Coin Meter Assembly	Australia .20 and 1.00; Includes items 2 and 3
	F200010002	Coin Meter Assembly	100 and 500 yen; Includes items 2 and 3
	F200010003	Coin Meter Assembly	Canada .25 and 1.00; Includes items 2 and 3
	F200010004	Coin Meter Assembly	New Zealand .20 and 1.00; Includes items 2 and 3
	F200010005	Coin Meter Assembly	U.S. \$.25 and \$1.00; Includes items 2 and 3
	F200010008	Coin Meter Assembly	.50 and 2.00 euro; Includes items 2 and 3
	F200010010	Coin Meter Assembly	10 and 50 Taiwan; Includes items 2 and 3
1	38725	Coin Identification Paper	
2	N/A	Coin Meter	10 and 50 Taiwan
	N/A	Coin Meter	Belgium 5 and 20 franc
	N/A	Coin Meter	Denmark 1 and 5 krone
	N/A	Coin Meter	Denmark 5 and 10 krone
	38472	Coin Drop Assembly	United Kingdom 20 pence and 1 pound
	N/A	Coin Meter	.20 and .50 euro
	210195	Coin Drop Assembly	.20 and 1.00 euro
	210196	Coin Drop Assembly	.50 and 1.00 euro
	N/A	Coin Meter	2 and 5 franc
	N/A	Coin Meter	2 and 10 franc
	39157	Coin Drop Assembly	Israel 1 and 5 shekel
	38521	Coin Drop Assembly	Korea 100 and 500 won
	N/A	Coin Meter	Spain 100 and 500 peseta
	N/A	Coin Drop Assembly	Australia .20 and 1.00
	N/A	Coin Drop Assembly	Japan 100 and 500 yen
	N/A	Coin Drop Assembly	Canada .25 and 1.00
	N/A	Coin Drop Assembly	New Zealand .20 and 1.00
	70256402P	Coin Drop	U.S. \$.25 and \$1.00
	F0160737-00	Coin Meter	.50 and 2.00 euro
	70281102	Coin Drop Assembly	10 and 50 Taiwan dollar
	N/A	Coin Meter	Taiwan 5 and 10 dollar
3	685846	Nut	
4	200674P	Opto Coupler	
5	70058501	Pop Rivet	

N/A = Part no longer available

Electronic Coin Meter Assembly



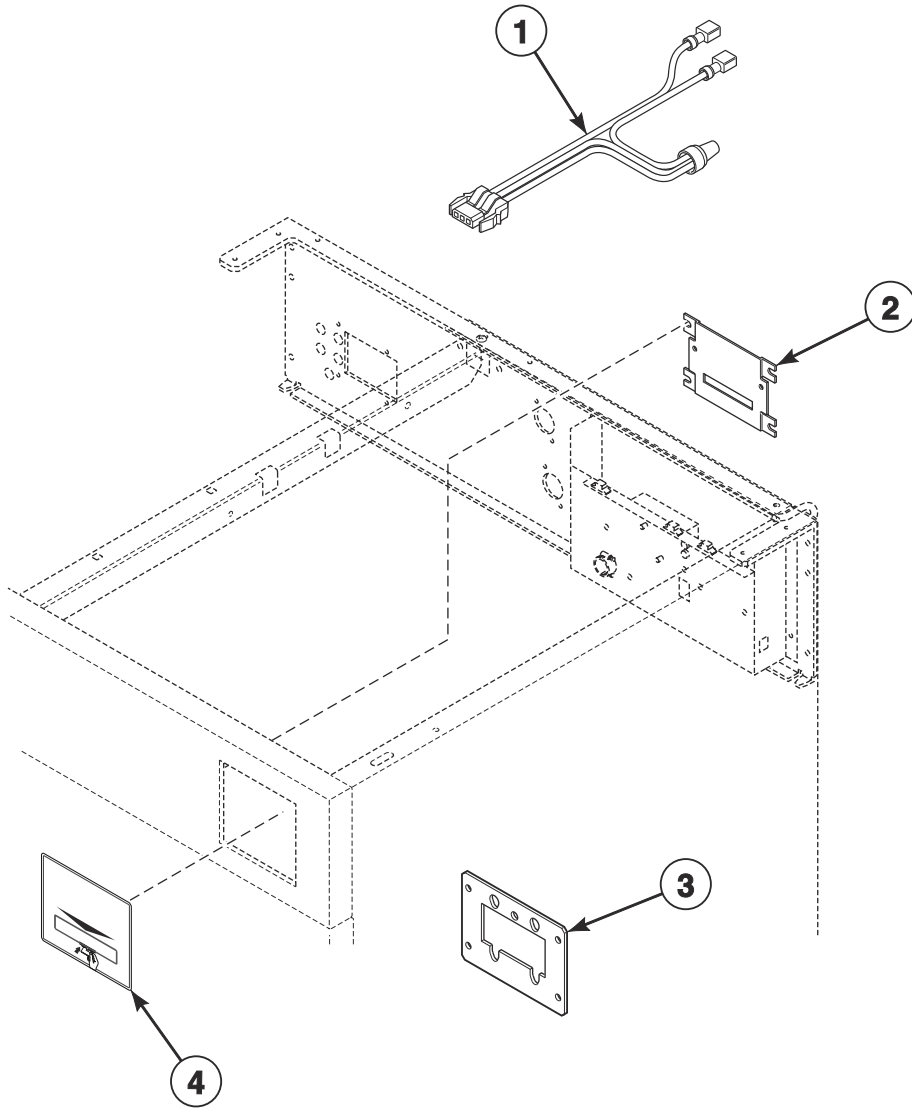
CHM3089P_F8639901

Electronic Coin Meter Assembly

REF	PART NO.	DESCRIPTION	COMMENTS
	CK500	Electronic Coin Drop Kit	Includes item 2
1	38725	Coin Identification Paper	
2	F200021600P	Coin Meter Assembly	U.S., Canada, Japan and Taiwan; Includes items 3 and 4; Requires CK500 Electronic Coin Drop Kit for installation
	F200021601	Coin Meter Assembly	Australia, New Zealand, Hong Kong, South Korea and Malaysia; Includes items 3 and 4; Requires CK500 Electronic Coin Drop Kit for installation
	F200021602	Coin Meter Assembly	United Kingdom and euro; Includes items 3 and 4; Requires CK500 Electronic Coin Drop Kit for installation
	F200021603	Coin Meter Assembly	Denmark, Norway and euro; Includes items 3 and 4; Requires CK500 Electronic Coin Drop Kit for installation
	F200021604	Coin Meter Assembly	U.S., Mexico and Ecuador; Includes items 3 and 4; Requires CK500 Electronic Coin Drop Kit for installation
	F200021605	Coin Meter Assembly	Euro, Latvia and Lithuania; Includes items 3 and 4; Requires CK500 Electronic Coin Drop Kit for installation
	F8238601	Coin Meter Assembly	China, Russia and Malaysia; Includes items 3 and 4; Requires CK500 Electronic Coin Drop Kit for installation
3	685846	Nut	
4	CK115	Electronic Coin Drop Kit	U.S. and Canada; Includes item 1; Requires CK500 Electronic Coin Drop Kit for installation
	CK113	Electronic Coin Drop Kit	Japan and Taiwan; Includes item 1; Requires CK500 Electronic Coin Drop Kit for installation
	70294105P	Electronic Coin Drop Assembly	Australia, New Zealand, Hong Kong, South Korea and Malaysia
	CK099	Electronic Coin Drop Kit	Australia, New Zealand, Hong Kong, South Korea and Malaysia; Includes item 1; Requires CK500 Electronic Coin Drop Kit for installation
	70294103P	Electronic Coin Drop Assembly	United Kingdom and euro
	CK100	Electronic Coin Drop Kit	United Kingdom and euro; Includes item 1; Requires CK500 Electronic Coin Drop Kit for installation
	70294104	Electronic Coin Drop Assembly	Denmark, Norway and euro
	CK101	Electronic Coin Drop Kit	Denmark, Norway and euro; Includes item 1; Requires CK500 Electronic Coin Drop Kit for installation
	70294106	Electronic Coin Drop Assembly	U.S., Mexico and Ecuador
	CK110	Electronic Coin Drop Kit	U.S., Mexico and Ecuador; Includes item 1; Requires CK500 Electronic Coin Drop Kit for installation
	70294107	Electronic Coin Drop Assembly	Euro, Latvia and Lithuania
	CK103	Electronic Coin Drop Kit	Euro, Latvia and Lithuania; Includes item 1; Requires CK500 Electronic Coin Drop Kit for installation
	70294109	Electronic Coin Drop Assembly	Singapore, China, Russia and Malaysia
	CK106	Electronic Coin Drop Kit	Singapore, China, Russia and Malaysia; Includes item 1; Requires CK500 Electronic Coin Drop Kit for installation
	70294111	Electronic Coin Drop Assembly	Euro
	CK109	Electronic Coin Drop Kit	Euro; Includes item 1; Requires CK500 Electronic Coin Drop Kit for installation
	70294119	Electronic Coin Drop Assembly	Thailand
	CK119	Electronic Coin Drop Kit	Thailand; Includes item 1; Requires CK500 Electronic Coin Drop Kit for installation
5	F8034701P	Pulse Expander Assembly	
6	70295101	Overlay	Black
	70295301	Overlay	Gray

Card Reader

LY Models

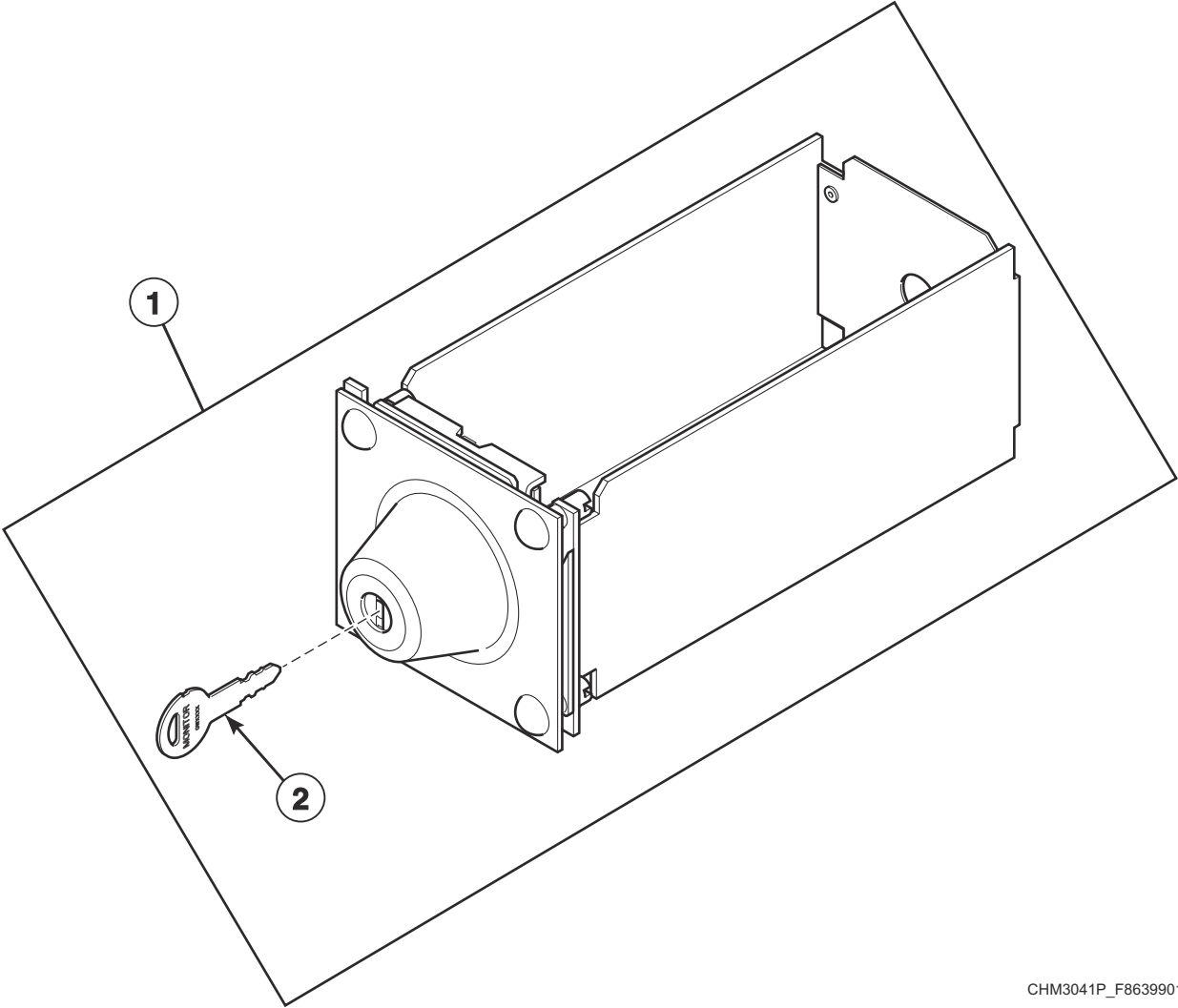


CHM3216P_F8639901

Card Reader

REF	PART NO.	DESCRIPTION	COMMENTS
	511476	Jumper Harness	
1	F8191402	Vault/FBS Jumper Harness	Access
2	F8201501	Card Plate Assembly	
3	70208801	Mounting Plate	
4	70334201	Card Reader Overlay	Black
	70523601	Card Reader Overlay	Chinese

Optional Coin Box

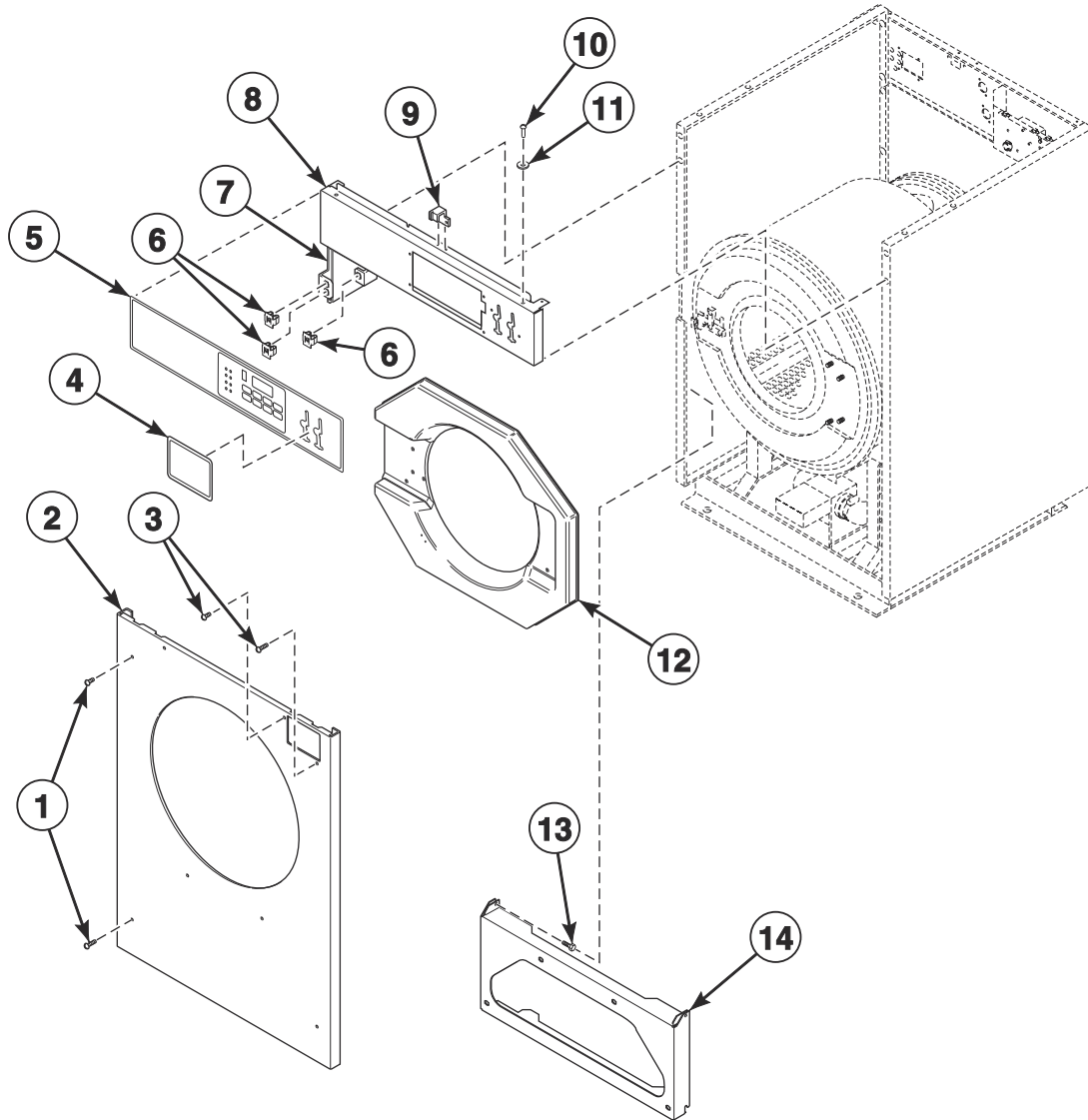


CHM3041P_F8639901

Optional Coin Box

REF	PART NO.	DESCRIPTION	COMMENTS
1	F160672	Coin Box	20 and 30 pound models; Design 2; GW0023
	F8182001	Coin Drawer Assembly	20 and 30 pound Design 3 models; 40 and 60 pound models
2	F160420	Key	GW0023

Front Panel, Control Panel and Control Panel Overlays - Coin and Remote Central Pay Models

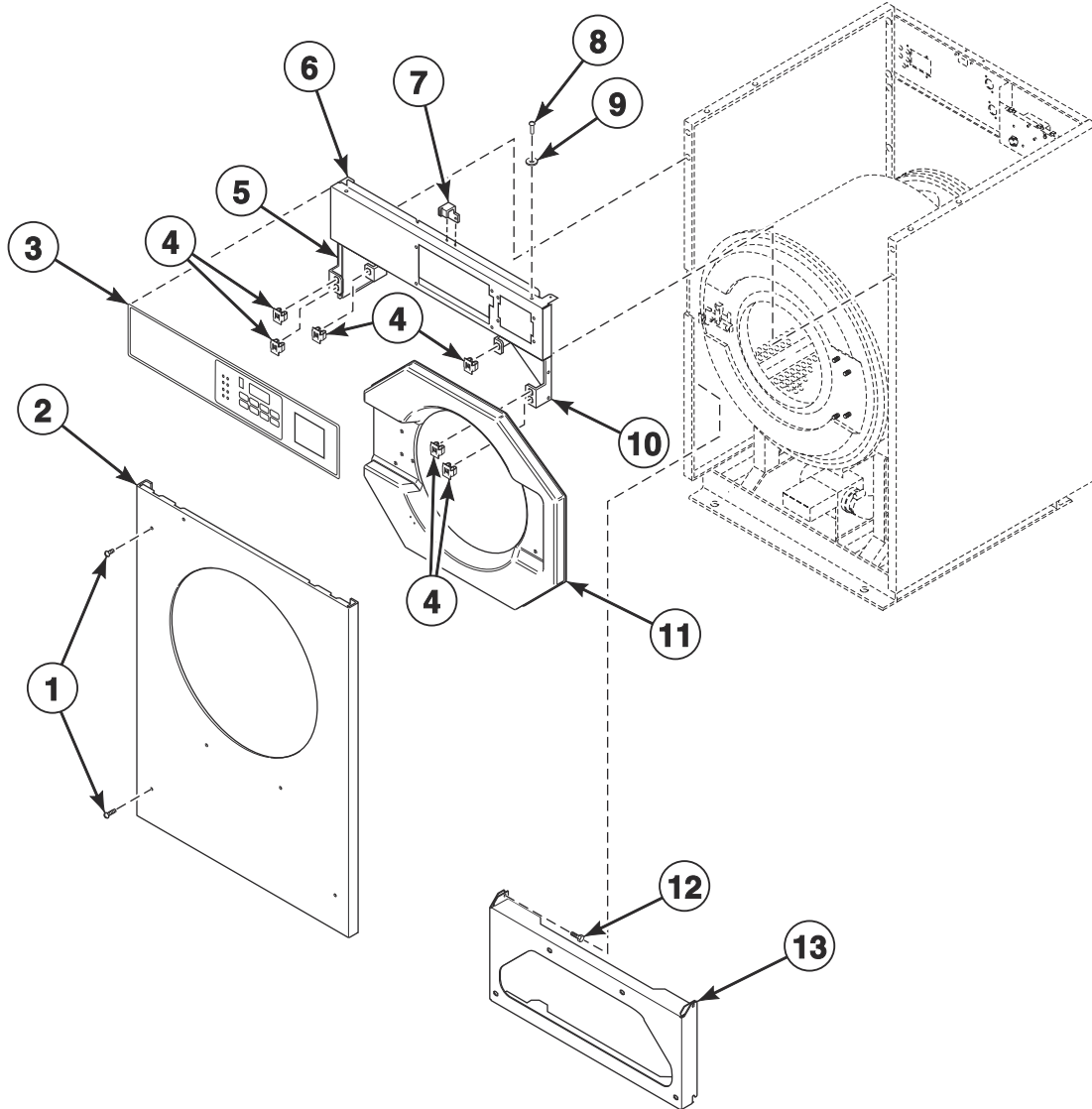


CHM3455P_F8639901

Front Panel, Control Panel and Control Panel Overlays - Coin and Remote Central Pay Models

REF	PART NO.	DESCRIPTION	COMMENTS
1	F8117601	Screw	
2	F8171301	Front Panel	20 pound models; Design 2; Stainless steel; Vertical brush
	F8492301	Front Panel	20 pound models; Design 3; Stainless steel; Vertical brush
	F8492307	Front Panel	20 pound models; Design 3; Stainless steel; Horizontal brush
	F8173001	Front Panel	30 pound models; Design 2; Stainless steel; Vertical brush
	F8173003	Front Panel	30 pound models; Design 3; Stainless steel; Vertical brush
	F8173009	Front Panel	30 pound models; Stainless steel; Horizontal brush
	F8173101P	Front Panel	40 pound models; Stainless steel; Vertical brush
	F8173107	Front Panel	40 pound models; Stainless steel; Horizontal brush
	F8173201P	Front Panel	60 pound models; Stainless steel; Vertical brush
	F8173207	Front Panel	60 pound models; Stainless steel; Horizontal brush
3	801019	Screw	
4	39564	Coin Drop Overlay	LF and LV models; Black
5	F8226902	Control Panel Overlay	HCD020 models; Dual coin drop
	F8227002	Overlay	HCD030 and SCD030 models; Dual coin drop
	F8227102	Overlay	HCB040, HCD040 and SCD040 models; Dual coin drop
	F8227202	Overlay	HCD060 and SCD060 models; Dual coin drop
	F8445801	Overlay	SCH020, SCL020, SCN020, SCU020 and SCY020 models; Single coin drop
	F8577101	Control Panel Overlay	SCD020 models; Dual coin drop
	F8445802	Overlay	SCH020, SCL020, SCN020, SCU020 and SCY020 models; Dual coin drop
	F8445901	Overlay	SCH030, SCL030, SCN030, SCU030 and SCY030 models; Single coin drop
	F8445902	Overlay	SCH030, SCL030, SCN030, SCU030 and SCY030 models; Dual coin drop
	F8446001	Overlay	SCB040, SCH040, SCL040, SCN040, SCU040 and SCY040 models; Single coin drop
	F8446002	Overlay	SCB040, SCH040, SCL040, SCN040, SCU040 and SCY040 models; Dual coin drop
	F8446101	Overlay	SCH060, SCL060, SCN060, SCU060 and SCY060 models; Single coin drop
	F8446102	Overlay	SCH060, SCL060, SCN060, SCU060 and SCY060 models; Dual coin drop
	F8590201	Overlay	SCH020, SCL020, SCN020 and SCU020 models; Single coin drop; Chinese
	F8587801	Overlay	SCH030, SCL030, SCN030 and SCU030 models; Single coin drop; Chinese
	F8587901	Overlay	SCH040, SCL040, SCN040 and SCU040 models; Single coin drop; Chinese
	F8590202	Overlay	SCH020, SCL020, SCN020 and SCU020 models; Dual coin drop; Chinese
	F8587802	Overlay	SCH030, SCL030, SCN030 and SCU030 models; Dual coin drop; Chinese
	F8587902	Overlay	SCH040, SCL040, SCN040 and SCU040 models; Dual coin drop; Chinese
	6	70030501	Expansion Clip
7	F8186702	Gusset Plate	
8	F8038502	Control Panel Assembly	20 pound models
	F8038602	Control Panel Assembly	30 pound models
	F8038702	Control Panel Assembly	40 pound models
	F8038802	Control Panel Assembly	60 pound models
9	F8201001	Top Cover Latch	
10	70412601	Pop Rivet	
11	F8201101	Washer	
12	F170416-1	Door Bezel	20 pound SC models; Black
	F170416-3	Door Bezel	20 pound HC models; Pantone 424
	F170417-1	Door Bezel	30 pound SC models; Black
	F170417-3	Door Bezel	30 pound HC models; Pantone 424
	F0170426-00	Door Bezel	40 and 60 pound SC models; Black
	F0170426-30	Door Bezel	40 and 60 pound HC models; Pantone 424
13	F430174	Screw	
14	F8173801	Front Cabinet Brace	20 pound models
	F8173901	Front Cabinet Brace	30 pound models
	F8174001	Front Cabinet Brace	40 pound models
	F8174101	Lower Cabinet Brace	60 pound models

Front Panel, Control Panel and Control Panel Overlays - Card Ready Models

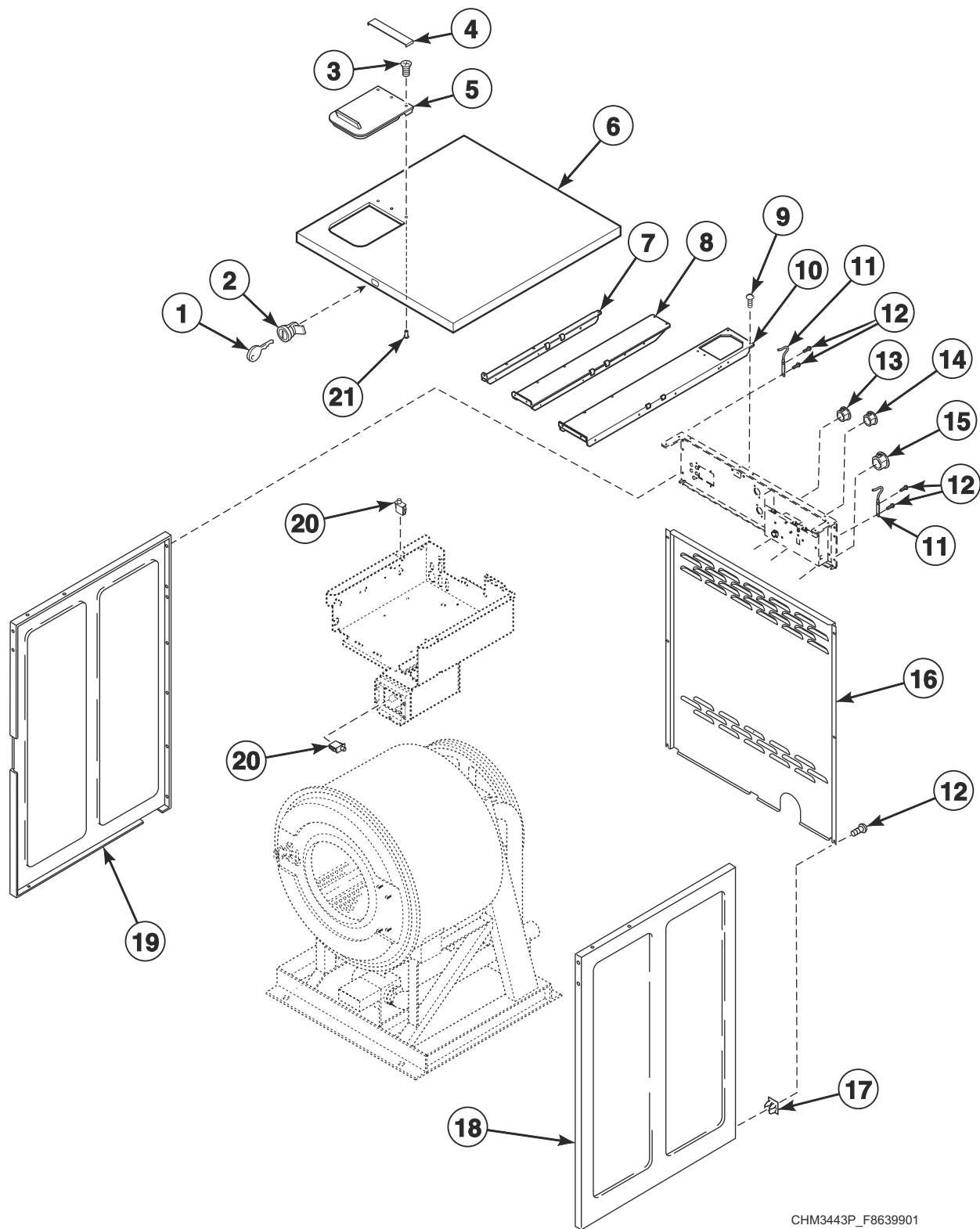


CHM3456P_F8639901

Front Panel, Control Panel and Control Panel Overlays - Card Ready Models

REF	PART NO.	DESCRIPTION	COMMENTS
1	F8117601	Screw	
2	F8492302	Front Panel	20 pound models; Design 2; Stainless steel; Vertical brush
	F8492308	Front Panel	20 pound models; Design 3; Stainless steel; Horizontal brush
	F8173002P	Front Panel	30 pound models; Stainless steel; Vertical brush
	F8173008	Front Panel	30 pound models; Stainless steel; Horizontal brush
	F8173102P	Front Panel	40 pound models; Stainless steel; Vertical brush
	F8173108	Front Panel	40 pound models; Stainless steel; Horizontal brush
	F8173202P	Front Panel	60 pound models; Stainless steel; Vertical brush
	F8173208	Front Panel	60 pound models; Stainless steel; Horizontal brush
	3	F8445803	Overlay
F8445903		Overlay	30 pound models
F8446003		Overlay	40 pound models
F8446103		Overlay	60 pound models
F8590203		Overlay	20 pound models; Chinese
F8587803		Overlay	30 pound models; Chinese
F8587903		Overlay	SCH040, SCL040, SCN040 and SCU040 models; Chinese
4	70030501	Expansion Clip	
5	F8186702	Gusset Plate	Left
6	F8038504	Control Panel Assembly	20 pound models
	F8038604	Control Panel Assembly	30 pound models
	F8038704	Control Panel Assembly	40 pound models
	F8038804	Control Panel Assembly	60 pound models
7	F8201001	Top Cover Latch	
8	70412601	Pop Rivet	
9	F8201101	Washer	
10	F8186701	Gusset Plate	Right
11	F170416-1	Door Bezel	20 pound models; Black
	F170417-1	Door Bezel	30 pound models; Black
	F0170426-00	Door Bezel	40 and 60 pound models; Black
12	F430174	Screw	
13	F8173801	Front Cabinet Brace	20 pound models
	F8173901	Front Cabinet Brace	30 pound models
	F8174001	Front Cabinet Brace	40 pound models
	F8174101	Lower Cabinet Brace	60 pound models

Panels

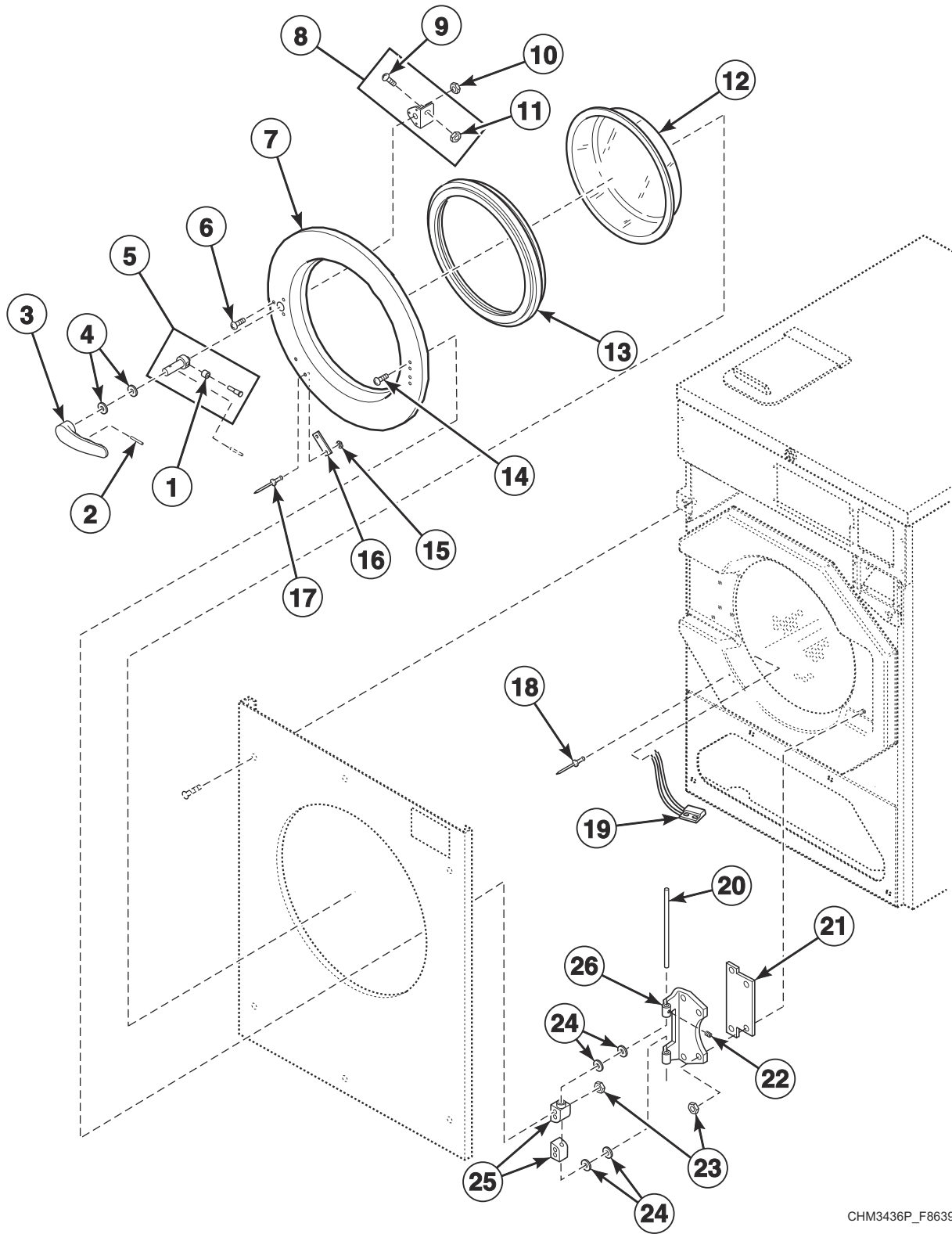


CHM3443P_F8639901

Panels

REF	PART NO.	DESCRIPTION	COMMENTS
1	70155603	Key	RL003
2	44089303P	Panel Lock	
3	F8230601	Screw	
4	F8091701	Lid Clamp	
5	F8048101	Dispenser Lid	Gray
6	F8040201	Top Cover	20 pound models
	F8017401	Top Cover	30 pound models
	F8040301	Top Cover	40 pound models
	F8040401P	Top Cover	60 pound models
7	F8043501	Top Cabinet Brace	20 pound models
8	F8043701	Top Cabinet Brace	30 pound models
9	431287	Screw	
10	F8043801	Top Cabinet Brace	40 pound models
	F8043901	Top Cabinet Brace	60 pound models
11	F8258601	Top Cover Hinge	
12	F8206901	Screw	
13	M400985	Plug	
14	F8223901	Plug	
15	F8223801	Hole Plug	
16	F8362401	Rear Panel	20 pound models; Design 2
	F8492501	Rear Panel	20 pound models; Design 3
	F8352801	Rear Panel	30 pound models
	F8365201	Rear Panel	40 pound models
	F8367101	Rear Panel	60 pound models
17	70030501	Expansion Clip	
18	F8399201	Right Side Panel	20 pound models; Design 2; Vinyl
	F8399203	Right Side Panel	20 pound models; Design 2; Stainless steel
	F8492401	Right Side Panel	20 pound models; Design 3; Vinyl
	F8399301	Right Side Panel	30 pound models; Design 2; Vinyl
	F8399303	Right Side Panel	30 pound models; Design 2; Stainless steel
	F8492403	Right Side Panel	30 pound models; Design 3; Stainless steel
	F8399401	Right Side Panel	40 pound models; Vinyl
	F8399403	Right Side Panel	40 pound models; Stainless steel
	F8399501	Right Side Panel	60 pound models; Vinyl
	F8399503	Right Side Panel	60 pound models; Stainless steel
19	F8399202	Left Side Panel	20 pound models; Design 2; Vinyl
	F8399204	Left Side Panel	20 pound models; Design 2; Stainless steel
	F8492402	Left Side Panel	20 pound models; Design 3; Vinyl
	F8399302	Left Side Panel	30 pound models; Design 2; Vinyl
	F8399304	Left Side Panel	30 pound models; Design 2; Stainless steel
	F8492404	Left Side Panel	30 pound models; Design 3; Stainless steel
	F8399402	Left Side Panel	40 pound models; Vinyl
	F8399404	Left Side Panel	40 pound models; Stainless steel
	F8399502P	Left Side Panel	60 pound models; Vinyl
F8399504	Left Side Panel	60 pound models; Stainless steel	
20	70413301	Pushbutton Switch	
21	F8230501	Bolt	

Door - 20 Pound Models

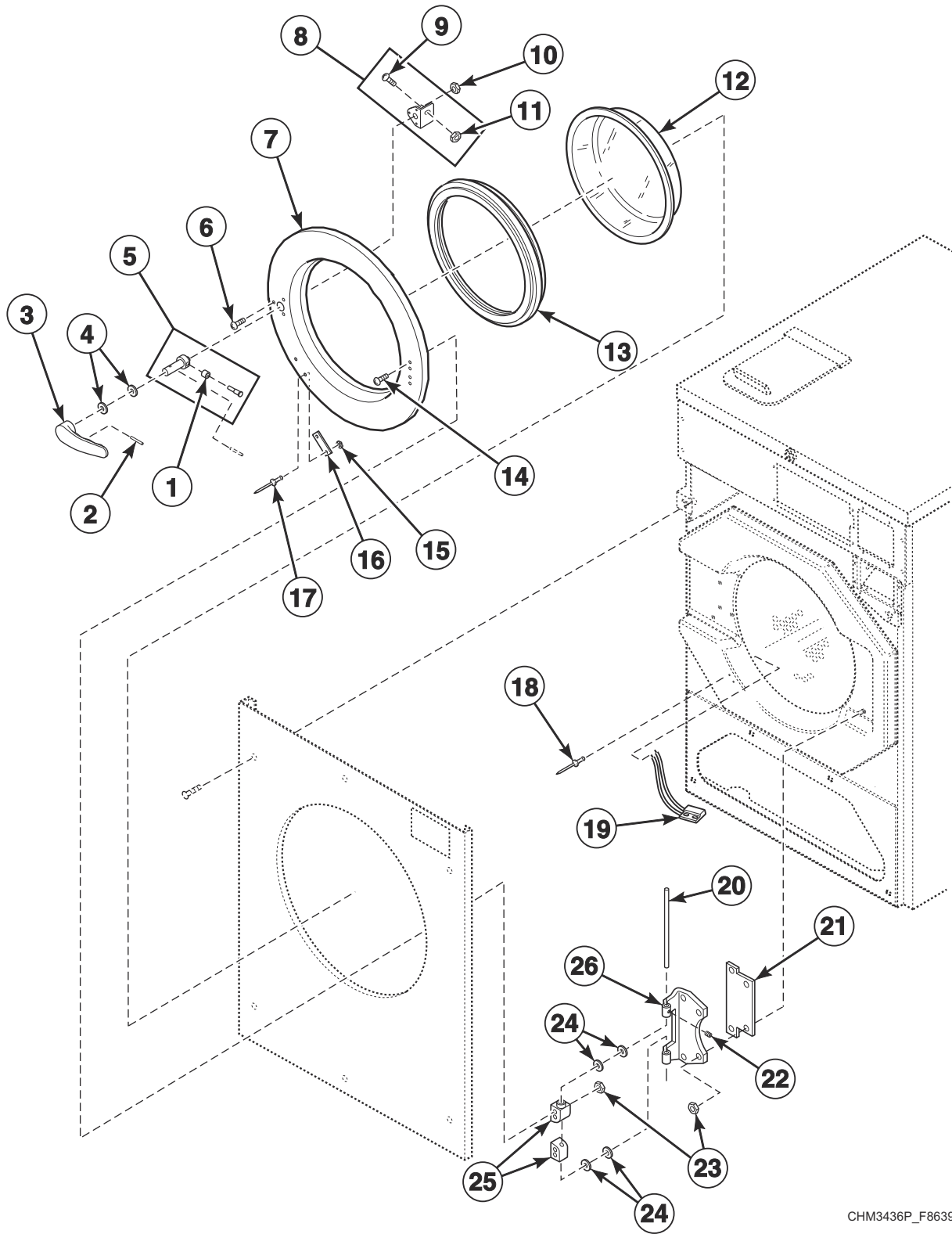


CHM3436P_F8639901

Door - 20 Pound Models

REF	PART NO.	DESCRIPTION	COMMENTS
	F8187204	Door Assembly	HC models; Includes items 1-17 and 20-26
	F8187202	Door Assembly	SC models; Includes items 1-17 and 20-26
	F8187205	Door Assembly	SC models; Chrome; Includes items 1-17 and 20-26
1	F8221701	Bearing Sleeve	
2	F431222	Spring Pin	
3	F8199401P	Door Handle	Black
4	F431916	Washer	
5	F8221401	Door Latch Arm Assembly	
6	F8535501	Screw	
7	F0602431-02	Door	
	F8507501P	Door	Chrome
8	F8567501	Door Handle Spacer Kit	Includes items 9 and 11
9	F430532	Screw	
10	F430232	Nut	
11	F431041	Nut	
12	F8341701	Door Glass	HC models
	F290205P	Door Glass Kit	SC models
13	F200000202	Door Gasket	Black
14	F430974	Bolt	
	F8508101	Bolt	Polished
15	F431113	Washer	
16	F8390801	Magnet	
17	F431223	Pop Rivet	
18	F8245101	Blind Rivet	
19	F8066802	Reed Switch Assembly	
20	F602813-2	Rod	
21	F200131000P	Door Hinge Shim Kit	
22	F430536	Screw	
23	F430215	Nut	
24	F431929	Washer	
25	F150271	Door Mount	
26	F190216P	Door Hinge	

Door - 30 Pound Models

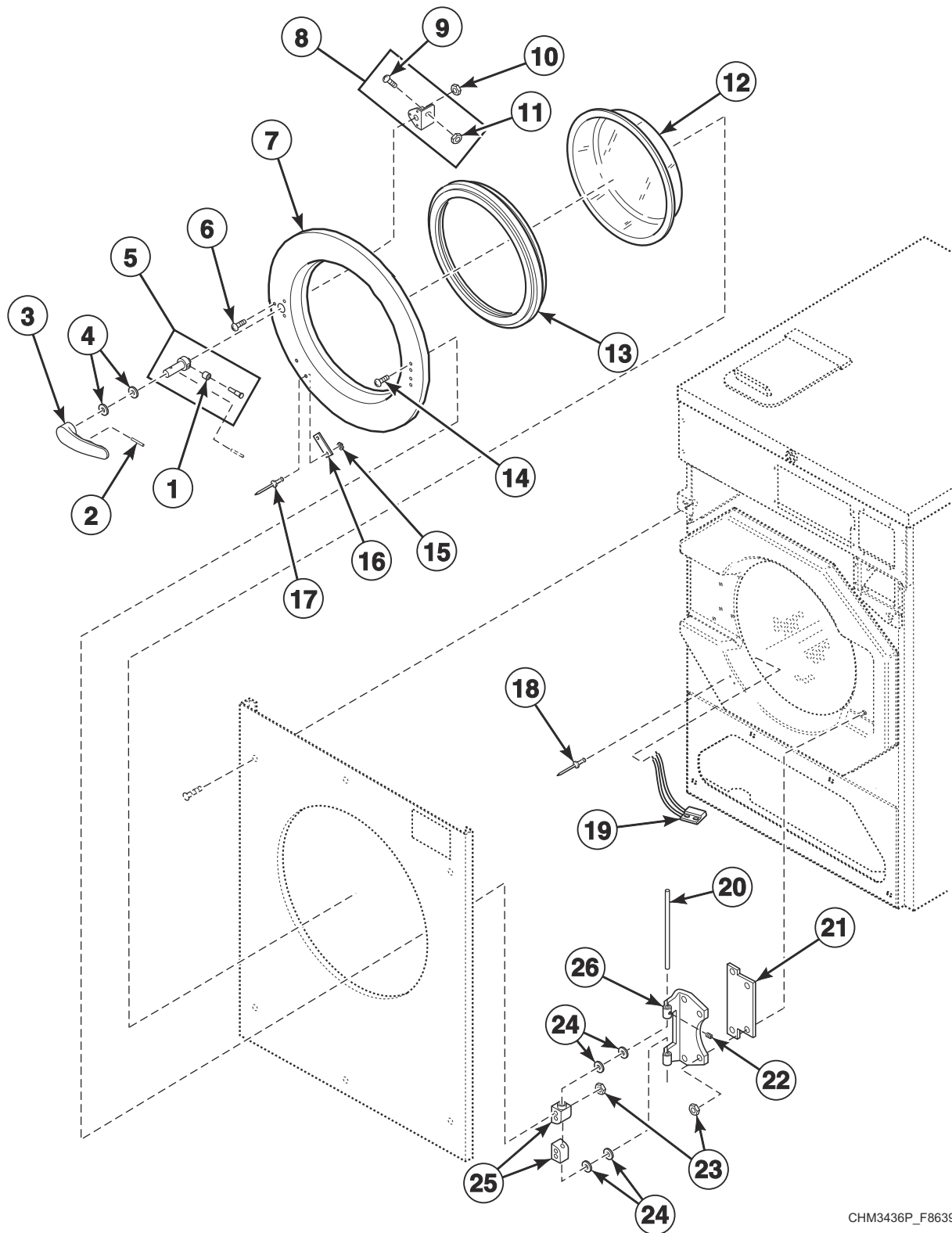


CHM3436P_F8639901

Door - 30 Pound Models

REF	PART NO.	DESCRIPTION	COMMENTS
	F8187304	Door Assembly	HC models; Includes items 1-17 and 20-26
	F8187302	Door Assembly	SC models; Includes items 1-17 and 20-26
	F8187305	Door Assembly	SC models; Chrome; Includes items 1-17 and 20-26
1	F8221701	Bearing Sleeve	
2	F431222	Spring Pin	
3	F8199401P	Door Handle	Black
4	F431916	Washer	
5	F8221401	Door Latch Arm Assembly	
6	F8535501	Screw	
7	F0602837-02	Door	
	F8507601	Door	Chrome
8	F8567501	Door Handle Spacer Kit	Includes items 9 and 11
9	F430533	Screw	
10	F430232	Nut	
11	F431041	Nut	
12	F8485301P	Door Glass	
13	F8111602	Door Gasket	Black
14	F430974	Bolt	
	F8508101	Bolt	Polished
15	F431113	Washer	
16	F8390801	Magnet	
17	F431223	Pop Rivet	
18	F8245101	Blind Rivet	
19	F8066802	Reed Switch Assembly	
20	F602813-2	Rod	
21	F200131000P	Door Hinge Shim Kit	
22	F430536	Screw	
23	F430215	Nut	
24	F431929	Washer	
25	F150271	Door Mount	
26	F190216P	Door Hinge	

Door - 40 and 60 Pound Models

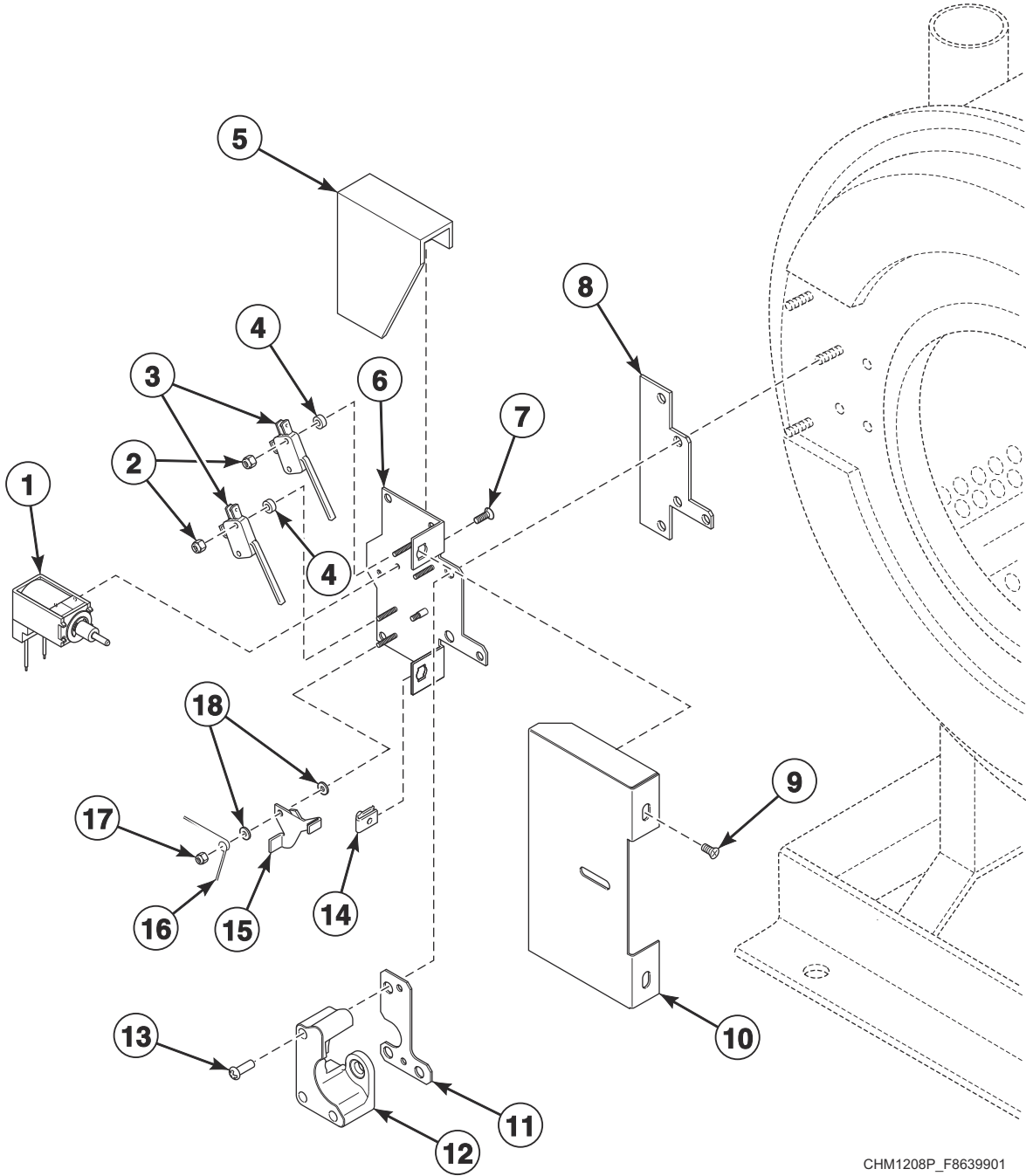


CHM3436P_F8639901

Door - 40 and 60 Pound Models

REF	PART NO.	DESCRIPTION	COMMENTS
	F8187404	Door Assembly	HC models; Includes items 1-17 and 20-26
	F8187402	Door Assembly	SC models; Includes items 1-17 and 20-26
	F8187405	Door Assembly	SC models; Chrome; Includes items 1-17 and 20-26
1	F8221701	Bearing Sleeve	
2	F431222	Spring Pin	
3	F8199401P	Door Handle	Black
4	F431916	Washer	
5	F8221401	Door Latch Arm Assembly	
6	F8535501	Screw	
7	F602842-2	Door	Vertical brush
	F8507702	Door	Horizontal brush
	F8507701	Door	Chrome
8	F8567501	Door Handle Spacer Kit	Includes items 9 and 11
9	F430533	Screw	
10	F430232	Nut	
11	F431041	Nut	
12	F8485401P	Door Glass	
13	F8111502	Door Gasket	Black
14	F430974	Bolt	
	F8508101	Bolt	Polished
15	F431113	Washer	
16	F8390801	Magnet	
17	F431223	Pop Rivet	
18	F8245101	Blind Rivet	
19	F8066802	Reed Switch Assembly	
20	F602813-3	Rod	
21	F200131000P	Door Hinge Shim Kit	
22	F430536	Screw	
23	F430215	Nut	
24	F431929	Washer	
25	F150271	Door Mount	
26	F190216P	Door Hinge	

Door Lock

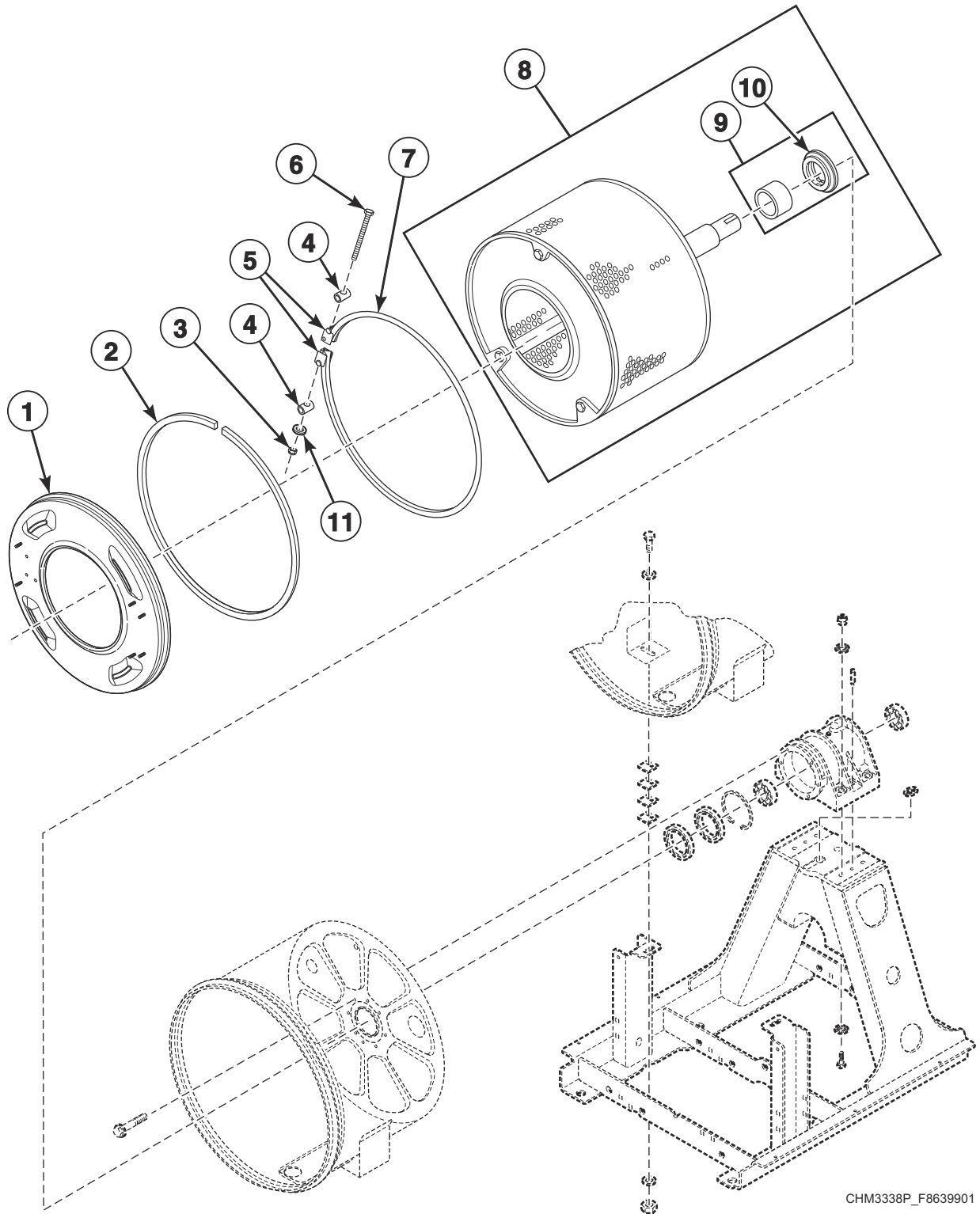


CHM1208P_F8639901

Door Lock

REF	PART NO.	DESCRIPTION	COMMENTS
	F8340501	Door Lock Assembly	
	F977P3	Door Lock Solenoid Replacement Kit	Includes F8340101 Solenoid
	F8340001	External Door Lock Harness	
1	F8340101	Solenoid	
2	F430225	Nut	
3	F200203200	Door Lock Microswitch	
4	F431901	Spacer	
5	F320200	Door Lock Splash Shield	
6	F8223202	Door Lock Plate Assembly	
7	F430977	Screw	
8	F8344401	Door Lock Plate Shim	
9	F430956	Screw	
10	F8245001	Door Lock Cover	
11	F8484401	Shim	Models through 9/9/14 with F8567501 Door Handle Spacer
12	F8344501	Door Lock Catch	
13	F8270701	Bolt	
14	F430264	Nut	
15	F8223401	Door Lock Switch Lever	
16	F8070301	Torsion/Door Lock Spring	
17	F430232	Nut	
18	F431902	Washer	

Shell Front and Basket

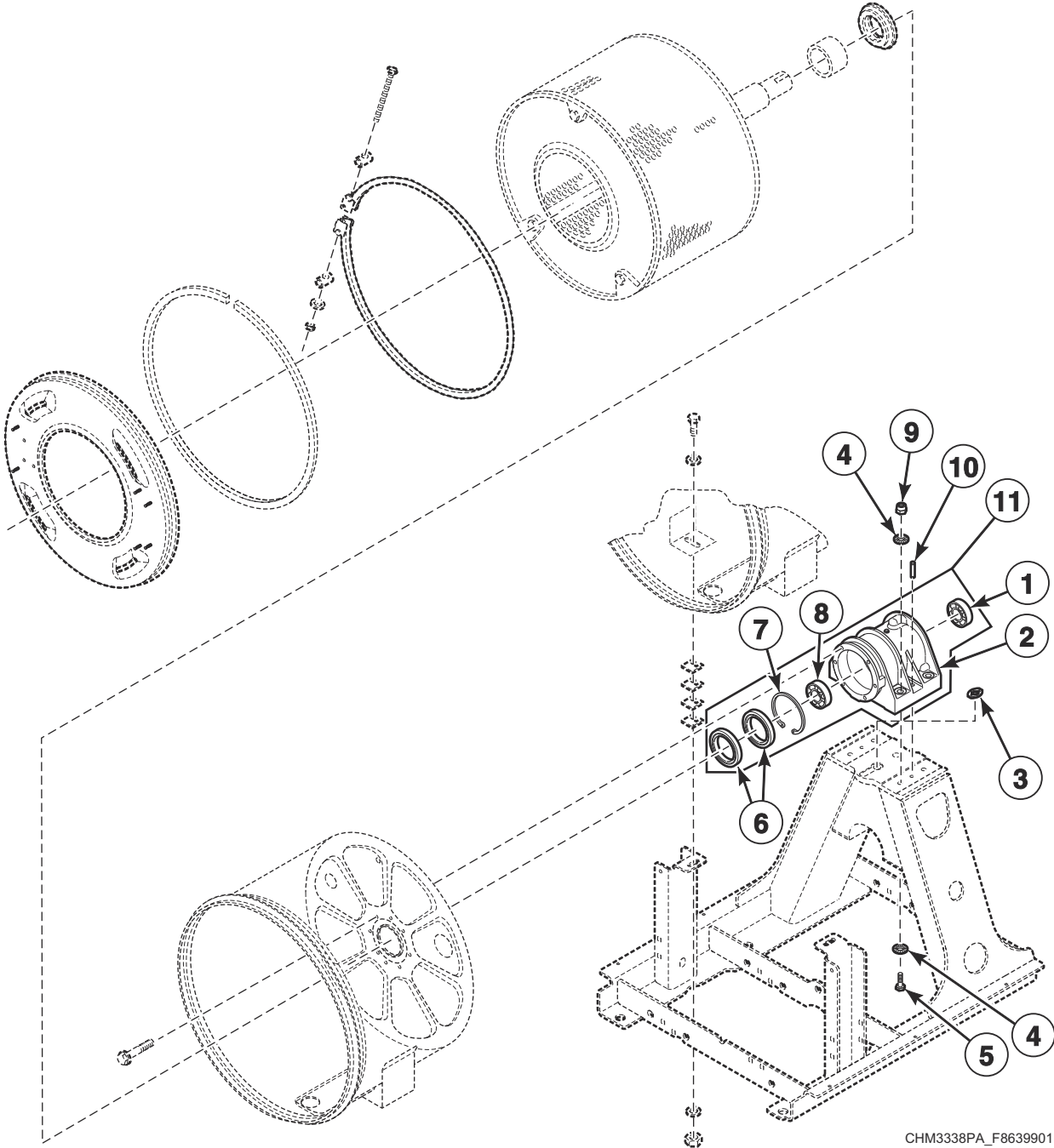


CHM3338P_F8639901

Shell Front and Basket

REF	PART NO.	DESCRIPTION	COMMENTS
	F980204341	Basket and Bearing Assembly	20 pound models; Viton; Includes item 8 and F8271602 Bearing House Assembly
	F980204342	Basket and Bearing Assembly	30 pound models; Viton; Includes item 8 and F8271702 Bearing House Assembly
	F980204343	Basket and Bearing Assembly	40 pound models; Viton; Includes item 8 and F8271802 Bearing House Assembly
	F980204344	Basket and Bearing Assembly	60 pound models; Viton; Includes item 8 and F8271902 Bearing House Assembly
	F460129P	Basket Puller Tool	
	F8608502P	Basket Pulley Puller Tool	
	389P4	Basket Tool Kit	Purchase; Requires F460129P Basket Puller Tool
	390P4-1	Basket Rental Tool Kit	Requires F460129P Basket Puller Tool
	F8388001	Clamp Ring Assembly	20 pound models; Includes items 5 and F602297 Outer Shell Band
	F8388002	Clamp Ring Assembly	30 pound models; Includes items 5 and F631838 Outer Shell Band
	F8388003	Clamp Ring Assembly	40 pound models; Includes items 5 and F603108 Outer Shell Band
	F8388004	Clamp Ring Assembly	60 pound models; Includes items 5 and F603207 Outer Shell Band
1	F8229401	Shell Front Assembly	20 pound models
	F8229501	Shell Front Assembly	30 pound models
	F8229601	Shell Front Assembly	40 pound models
	F8229701	Shell Front Assembly	60 pound models
2	F8513501	Shell Front Gasket Kit	
3	F430218	Nut	
4	F8302701	Pin	
5	F8302401	Clamp Ring Bracket	
6	800462	Screw	
7	F8537801	Shell Band Kit	20 pound models
	F8537802	Shell Band Kit	30 pound models
	F741701	Shell Band Kit	40 pound models
	F8537804	Shell Band Kit	60 pound models
8	F8391301P	Basket Assembly	20 pound models; Includes items 9 and 10; Standard
	F8391303	Basket Assembly	20 pound models; Viton
	F8391501P	Basket Assembly	30 pound models; Includes items 9 and 10; Standard
	F8391503	Basket Assembly	30 pound models; Viton
	F8391701P	Basket Assembly	40 pound models; Includes items 9 and 10; Standard
	F8391703	Basket Assembly	40 pound models; Viton
	F8502801	Basket Assembly	60 pound models; Replaces F8391901P Basket Assembly; Includes items 9 and 10; Standard
	F8502804	Basket Assembly	60 pound models; Viton
9	F8343901P	Shaft Seal Sleeve Kit	20 pound models; Includes item 10
	F8343904P	Shaft Seal Sleeve Kit	30 pound models; Includes item 10
	F8343906P	Shaft Seal Sleeve Kit	40 pound models; Includes item 10
	F8343909P	Shaft Seal Sleeve Kit	60 pound models; Includes item 10; Use with F8391901P Basket Assembly
	F8343914	Shaft Seal Sleeve	60 pound models; Use with F8502801 Basket Assembly
10	F8336801	Excluder Seal	20 pound models
	F8336802	Excluder Seal	20 pound models; Viton
	F8336901	Excluder Seal	30 pound models
	F8336902	Excluder Seal	30 pound models; Viton
	F8337001	Excluder Seal	40 pound models
	F8337002	Excluder Seal	40 pound models; Viton
	F8337101	Excluder Seal	60 pound models
	F8527701	Excluder Seal	60 pound models; Viton
11	M400081	Washer	

Bearing Housing

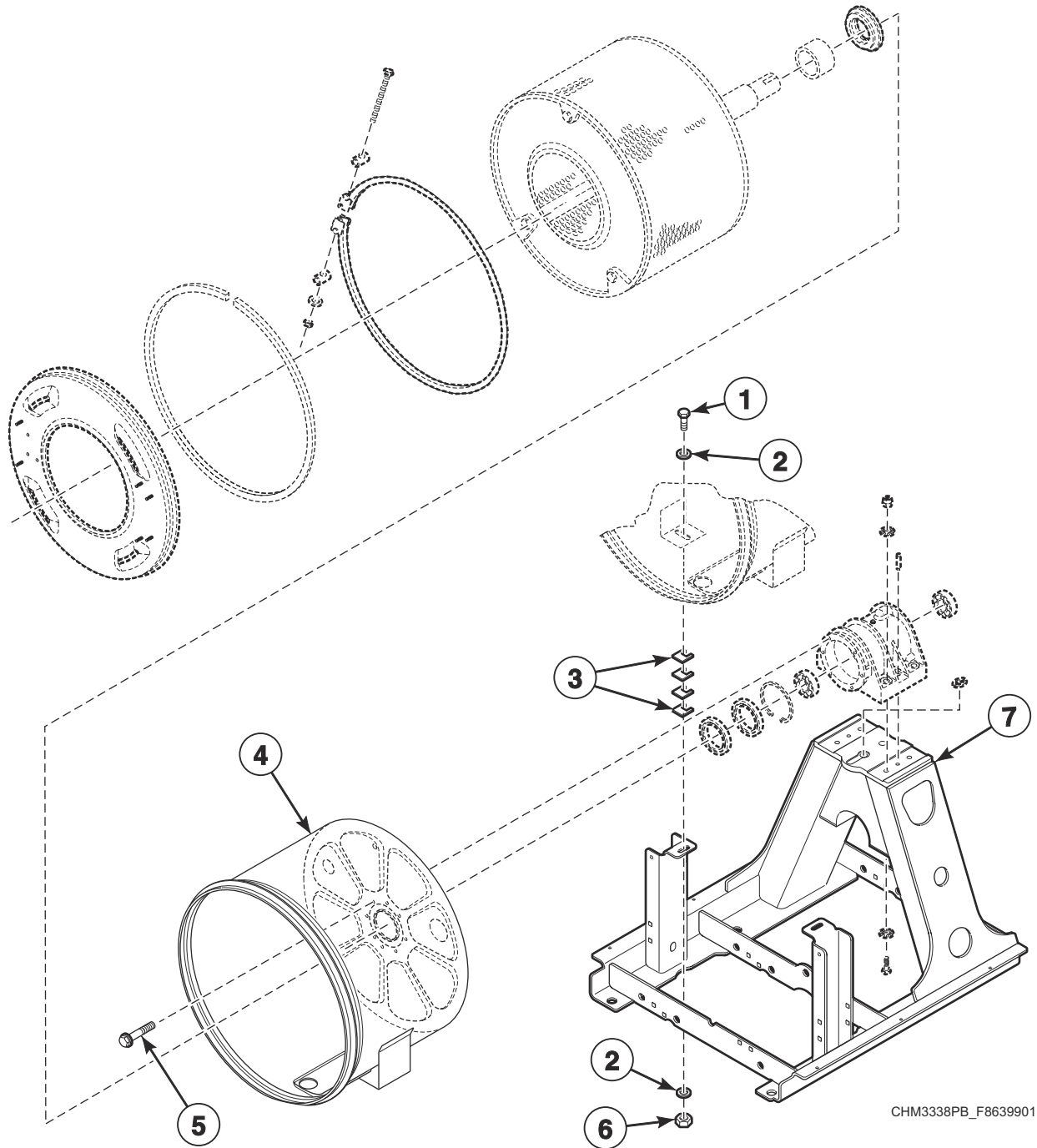


CHM3338PA_F8639901

Bearing Housing

REF	PART NO.	DESCRIPTION	COMMENTS
	F980204341	Basket and Bearing Assembly	20 pound models; Viton; Includes item 11 and F8391303 Basket Assembly
	F980204342	Basket and Bearing Assembly	30 pound models; Viton; Includes item 11 and F8391503 Basket Assembly
	F980204343	Basket and Bearing Assembly	40 pound models; Viton; Includes item 11 and F8391703 Basket Assembly
	F980204344	Basket and Bearing Assembly	60 pound models; Viton; Includes item 11 and F8502804 Basket Assembly
	389P4	Basket Tool Kit	Purchase; Requires F460129P Basket Puller Tool
	F8608502P	Basket Pulley Puller Tool	
	390P4-1	Basket Rental Tool Kit	Requires F460129P Basket Puller Tool
1	F100137P	Bearing	20 and 40 pound models; 6308 2RS C3; Front
	F100123P	Bearing	30 pound models; 6309 2RS C3; Front
	F100135	Bearing	60 pound models; 6313 2RS C3; Front
2	F8247902	Bearing Housing	20 pound models
	F8246802	Bearing Housing	30 pound models
	F8249902	Bearing Housing	40 pound models
	F8250902	Bearing Housing	60 pound models
3	F8350301	Seal Scupper Pad	20 and 30 pound models
	F8350302	Seal Scupper Pad	40 pound models
	F8350303	Seal Scupper Pad	60 pound models
4	F8366601	Washer	20 pound models
	F430339	Washer	All other models
5	F8368701	Screw	20 pound models
	F8368801	Screw	All other models
6	F8203801	Triple Lip Seal	20 pound models; Standard
	F8203813	Triple Lip Seal	20 pound models; Viton
	F8203802	Triple Lip Seal	30 pound models; Standard
	F8203814	Triple Lip Seal	30 pound models; Viton
	F8203803	Triple Lip Seal	40 pound models; Standard
	F8203815	Triple Lip Seal	40 pound models; Viton
	F8203806	Triple Lip Seal	60 pound models; Standard
	F8203808	Radial Seal	60 pound models; Viton
7	F8344901	Retaining Ring	20 pound models
	F8345001	Retaining Ring	30 pound models
	F8337801	Retaining Ring	40 pound models
	F8337901	Retaining Ring	60 pound models
8	F100136P	Bearing	20 pound models; 6307 2RS C3; Rear
	F100108	Bearing	30 pound models; 6208 2RS C3; Rear
	F100134	Bearing	40 and 60 pound models; 6310 2RS C3; Rear
9	F8387601	Nut	20 pound models
	F8387701	Nut	All other models
10	F8388101	Dowel Pin	20 pound models
	F8388201	Dowel Pin	All other models
11	F8271601P	Bearing Housing Assembly	20 pound models; Standard
	F8271602	Bearing Housing Assembly	20 pound models; Viton
	F8271701P	Bearing Housing Assembly	30 pound models; Standard
	F8271702	Bearing Housing Assembly	30 pound models; Viton
	F8271801P	Bearing Housing Assembly	40 pound models; Standard
	F8271802	Bearing Housing Assembly	40 pound models; Viton
	F8271901P	Bearing Housing Assembly	60 pound models; Standard
	F8271902	Bearing Housing Assembly	60 pound models; Viton

Shell and Frame

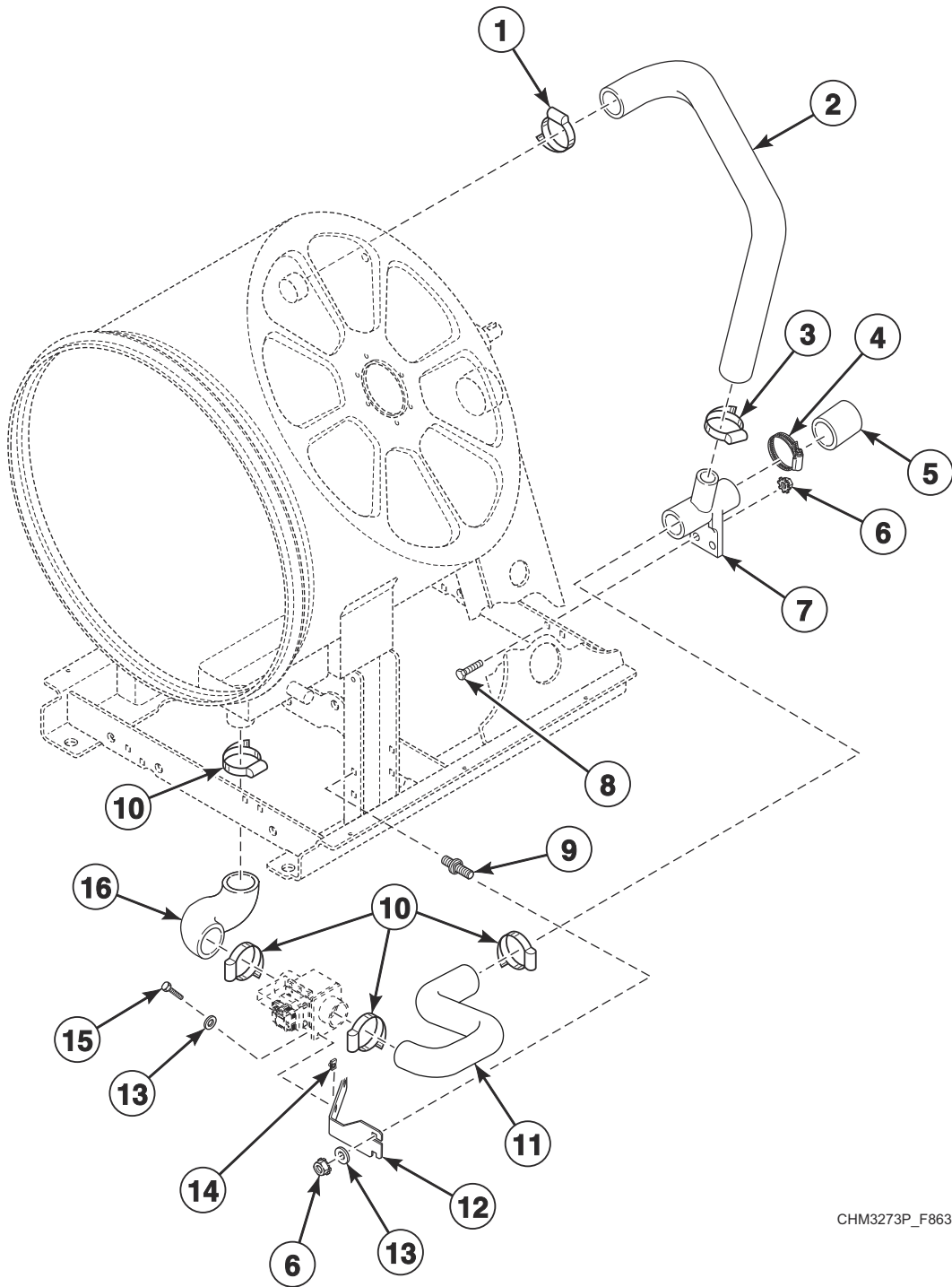


CHM3338PB_F8639901

Shell and Frame

REF	PART NO.	DESCRIPTION	COMMENTS
	1111P	Concrete Kit	5/8 inch
	F8433301	Frame Template	20 pound models
	F8433401	Frame Template	30 pound models
	F8433501	Frame Template	40 pound models
	F8433601	Frame Template	60 pound models
1	F8621601	Screw	
2	M400081	Washer	
3	F8402701	Washer	
4	F8360601	Shell Weldment	20 pound models; Standard
	F8360602	Shell Weldment	20 pound models; Steam and electric heat
	F8360701	Shell Weldment	30 pound models; Standard
	F8360702	Shell Weldment	30 pound models; Steam and electric heat
	F8360801	Shell Weldment	40 pound models; Standard
	F8360802	Shell Weldment	40 pound models; Steam and electric heat
	F8360901	Shell Weldment	60 pound models; Standard
	F8360902	Shell Weldment	60 pound models; Steam and electric heat
5	F8442702	Screw	
6	44087301	Nut	
7	F8247002	Frame Weldment	20 pound models
	F8248002	Frame Weldment	30 pound models
	F8249001	Frame Weldment	40 pound models
	F8250002	Frame Weldment	60 pound models

Drain Plumbing

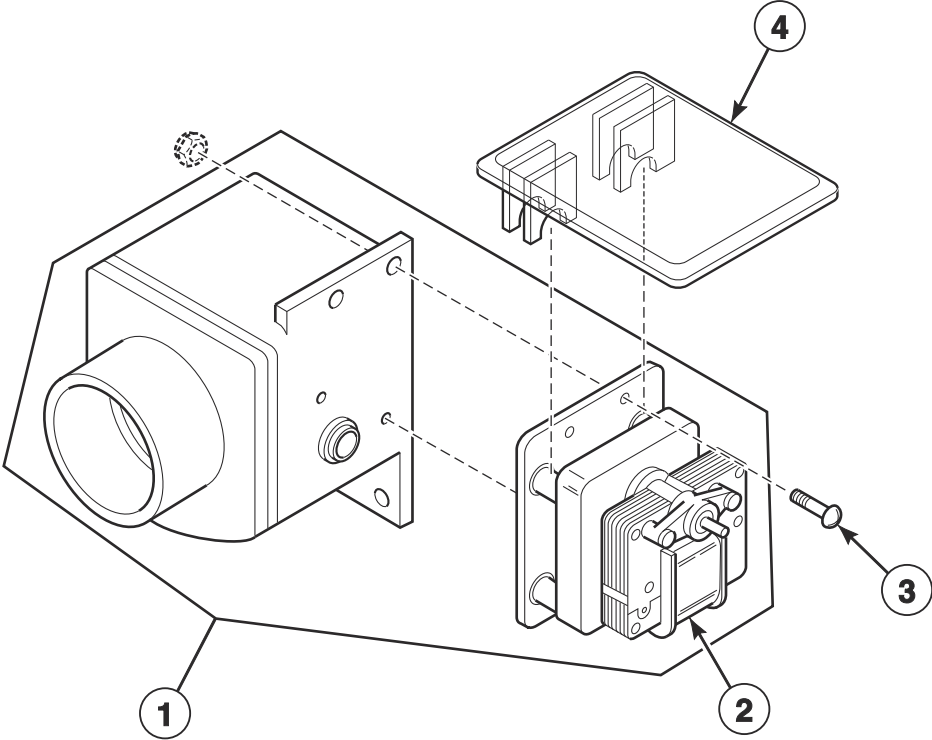


CHM3273P_F8639901

Drain Plumbing

REF	PART NO.	DESCRIPTION	COMMENTS
1	F200213	Hose Clamp	No. 40
2	F8367901	Overflow Hose	20 pound models
	F8368001	Overflow Hose	30 pound models
	F8367201	Overflow Hose	40 and 60 pound models
3	F200215	Hose Clamp	No. 28; 40 pound models
	F200213	Hose Clamp	No. 40; All other models
4	F200201	Hose Clamp	No. 56; 40 and 60 pound models
5	F200165100	Drain Hose	40 and 60 pound models
6	44087201	Nut	
7	F150318	Drain Connect Tee	20 and 30 pound models
	F150398	Drain Tee	40 and 60 pound models
8	F430522	Bolt	20 and 30 pound models
	F8402801	Bolt	40 and 60 pound models
9	70334702	Stud	
10	F200213	Hose Clamp	No. 40; 20 and 30 pound models
	F200201	Hose Clamp	No. 56; 40 and 60 pound models
11	F8365601	Rear Drain Hose	20 pound models
	F8365602	Rear Drain Hose	30 pound models
	F8231904	Rear Drain Hose	40 pound models
	F8231905	Rear Drain Hose	60 pound models
12	F8365401	Bracket	20 pound models
	F8365402	Bracket	30 pound models
	F8434601	Bracket	40 pound models
	F8434701	Bracket	60 pound models
13	M405535	Washer	
14	70030401	Nut	
15	202175	Screw	
16	F8261303	Drain Hose	20 and 30 pound models; Electric heat
	F8261302	Drain Hose	20 and 30 pound models
	F8232901	Drain Hose	40 and 60 pound models
	F8464701	Drain Hose	40 and 60 pound models; Electric heat

Drain Valve Assembly - 20 and 30 Pound Models

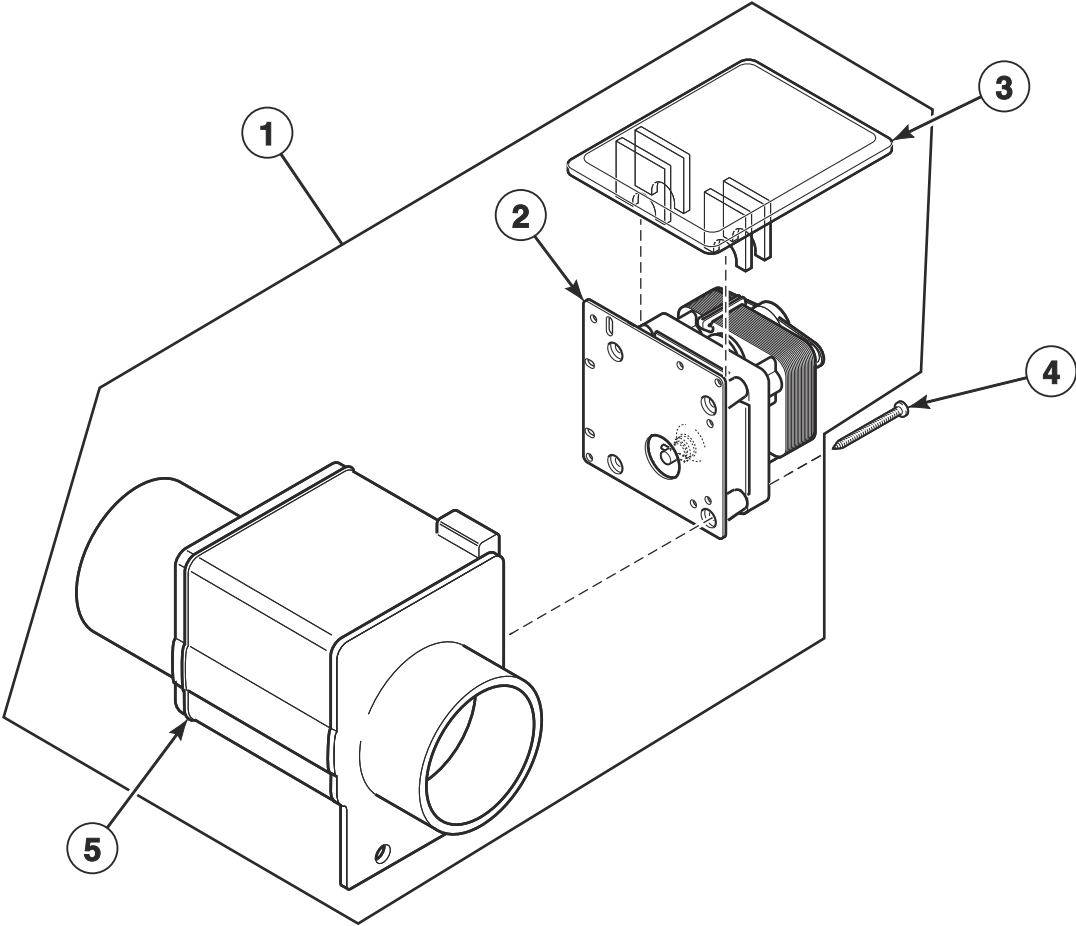


CHM2450P_F8639901

Drain Valve Assembly - 20 and 30 Pound Models

REF	PART NO.	DESCRIPTION	COMMENTS
	F8504601	Spring	
1	803292	Gravity Drain Valve	220 Volt
2	F380933P	Drain Valve Motor	Round shaft; 220 Volt
	F8618901P	Drain Valve Motor	Keyed shaft; 220 Volt
3	F200182700	Bolt	
4	F200133600	Drain Valve Cover	

Drain Valve Assembly - 40 and 60 Pound Models

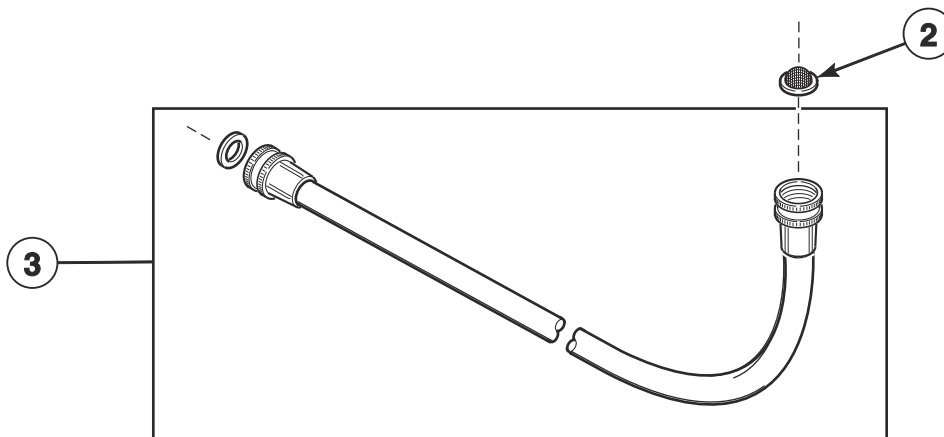
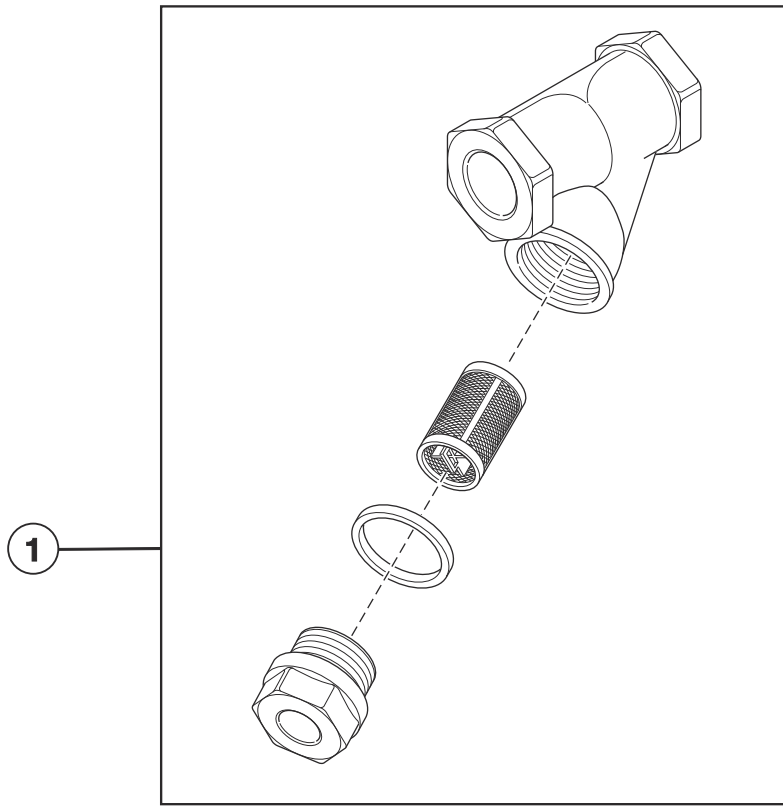


CHM3380P_F8639901

Drain Valve Assembly - 40 and 60 Pound Models

REF	PART NO.	DESCRIPTION	COMMENTS
	F8562001	Drain Seal Kit	Use with F8406307 Drain Valve
	F200215	Hose Clamp	No. 28
1	F8577201	Drain Valve Kit	240 Volt
2	F380933P	Drain Valve Motor	Round shaft; 220 Volt
	F8618901P	Drain Valve Motor	Keyed shaft; 220 Volt
3	F200133600	Drain Valve Cover	
4	F200182700	Bolt	
5	F8406307	Drain Valve	240 Volt

Steam Filter (Optional) and Water Supply Hose

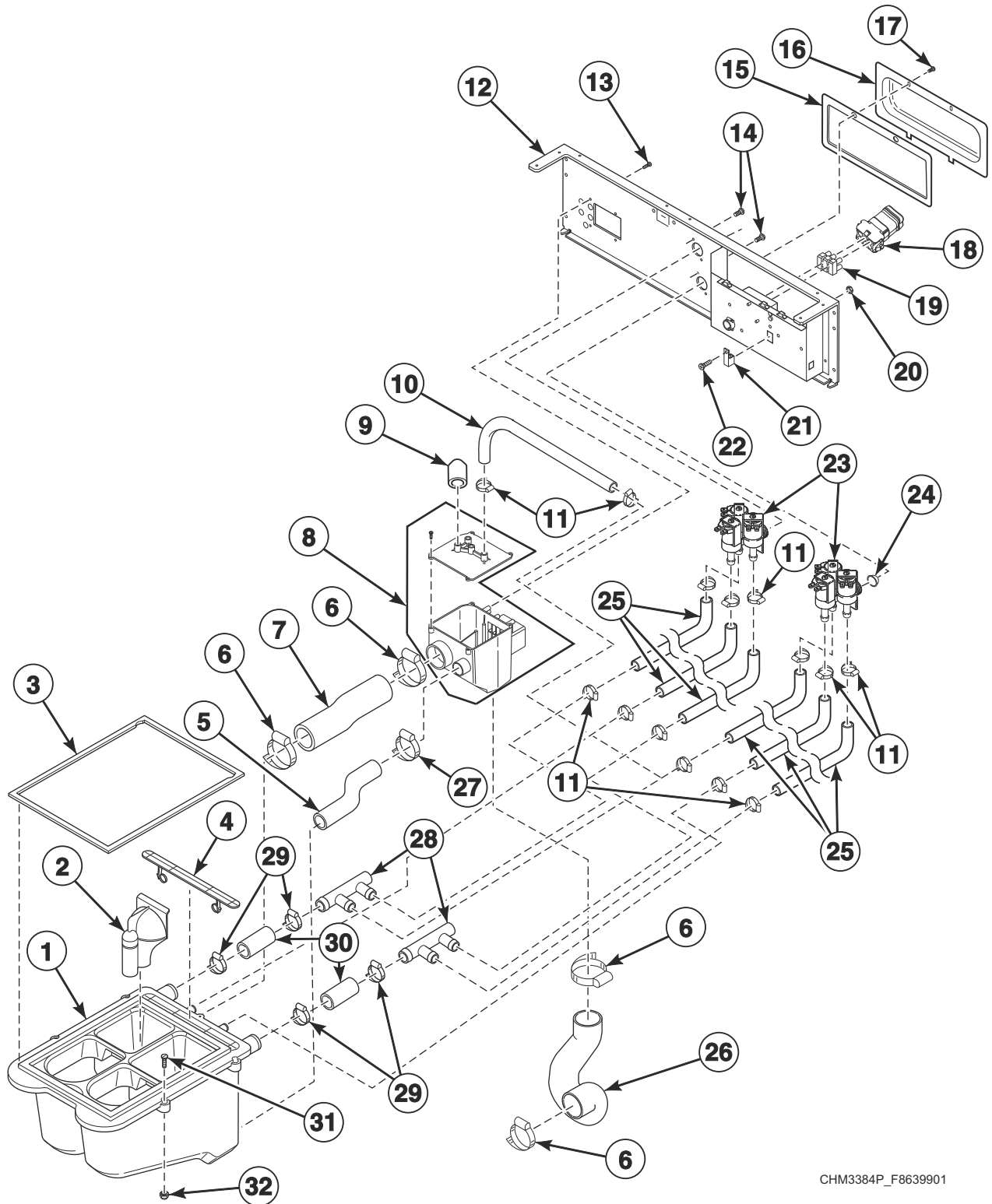


CHM3049P_F8639901

Steam Filter (Optional) and Water Supply Hose

REF	PART NO.	DESCRIPTION	COMMENTS
1	F270307	Steam Filter	1/2 inch
2	803615	Washer	Filter
3	F200116	Water Hose	3/8 inch; Standard thread
	F200165	Water Hose	Metric thread
	F8544601	Fill Hose Kit	Metric thread; CE

Fill Plumbing Assembly



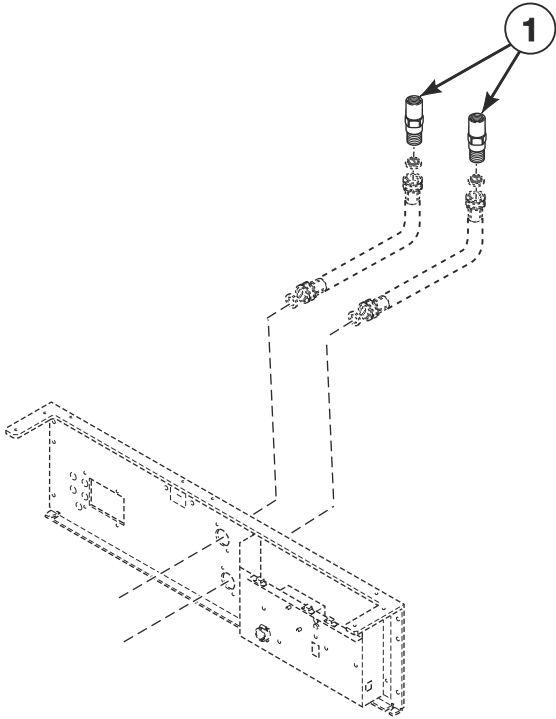
CHM3384P_F8639901

Fill Plumbing Assembly

REF	PART NO.	DESCRIPTION	COMMENTS
	G582P3	Diaphragm and Guide Kit	Use with F8286401P 3-Way Valve and F8286402P 3-Way Valve
1	F8047401	Dispenser Assembly	Models through 10/15/12; Includes items 2 and 4
	F8047402	Dispenser Assembly	Models starting 10/16/12; Includes items 2 and 4
2	F8047901	Siphon Cover	
3	F8308301	Dispenser Gasket	
4	F8047801	Access Cover	
5	F8043401	Dispenser Overflow Hose	20 pound models
	F8043403	Dispenser Overflow Hose	30 pound models
	F8043404	Dispenser Overflow Hose	40 pound models
	F8043405	Supply Overflow Hose	60 pound models
6	F200213	Hose Clamp	No. 40
7	F8042801	Vacuum Supply Hose	20 pound models
	F8042803	Vacuum Supply Hose	30 pound models
	F8042804	Vacuum Supply Hose	40 pound models
	F8042805	Vacuum Supply Hose	60 pound models
8	F8048601	Vacuum Breaker Assembly	
9	F8197701	Cap	Vinyl
10	F0200244-01	Vacuum Breaker Hose	60 pound models
	F0200244-02	Vacuum Breaker Hose	All other models
11	36801	Hose Clamp	No. 8
12	F8398701	Valve Panel	20 pound models
	F8398801	Valve Panel	30 pound models
	F8398901	Valve Panel	40 pound models
	F8399001	Valve Panel	60 pound models
13	800548	Screw	
14	F8230301	Screw	
15	F8230001	Terminal Tray Cover Gasket	
16	F8177001	Terminal Tray Cover	
17	F8206901	Screw	
18	F8454401	Filter	B, N and P-voltage
	F8454601	Harness	B, N and P-voltage
19	430642	Terminal Block	Includes screws
20	F430232	Nut	
21	M411283	Ground Lug Connector	
22	F430909	Screw	
23	F8286401P	3-Way Valve	240 Volt/50 or 60 Hertz; U.S.
	F8286402P	3-Way Valve	240 Volt/50 or 60 Hertz; Metric
24	803615	Washer	Filter
25	F8232004	Hose	20 pound models
	F8232001	Hose	30 pound models
	F8232002	Hose	40 and 60 pound models
26	F8042201	P-Trap Hose	20 pound models
	F8042202	P-Trap Hose	30 pound models
	F8042204	P-Trap Hose	40 pound models
	F8042301	P-Trap Hose	40 and 60 pound models
27	20211	Hose Clamp	No. 17
28	F8333201	Manifold	
29	F200222	Hose Clamp	No. 12
30	F606816-1	Hose	
31	F8535601	Screw	
32	F0431807-00	Nut	

Double Check Valve

WRAS Compliant Models



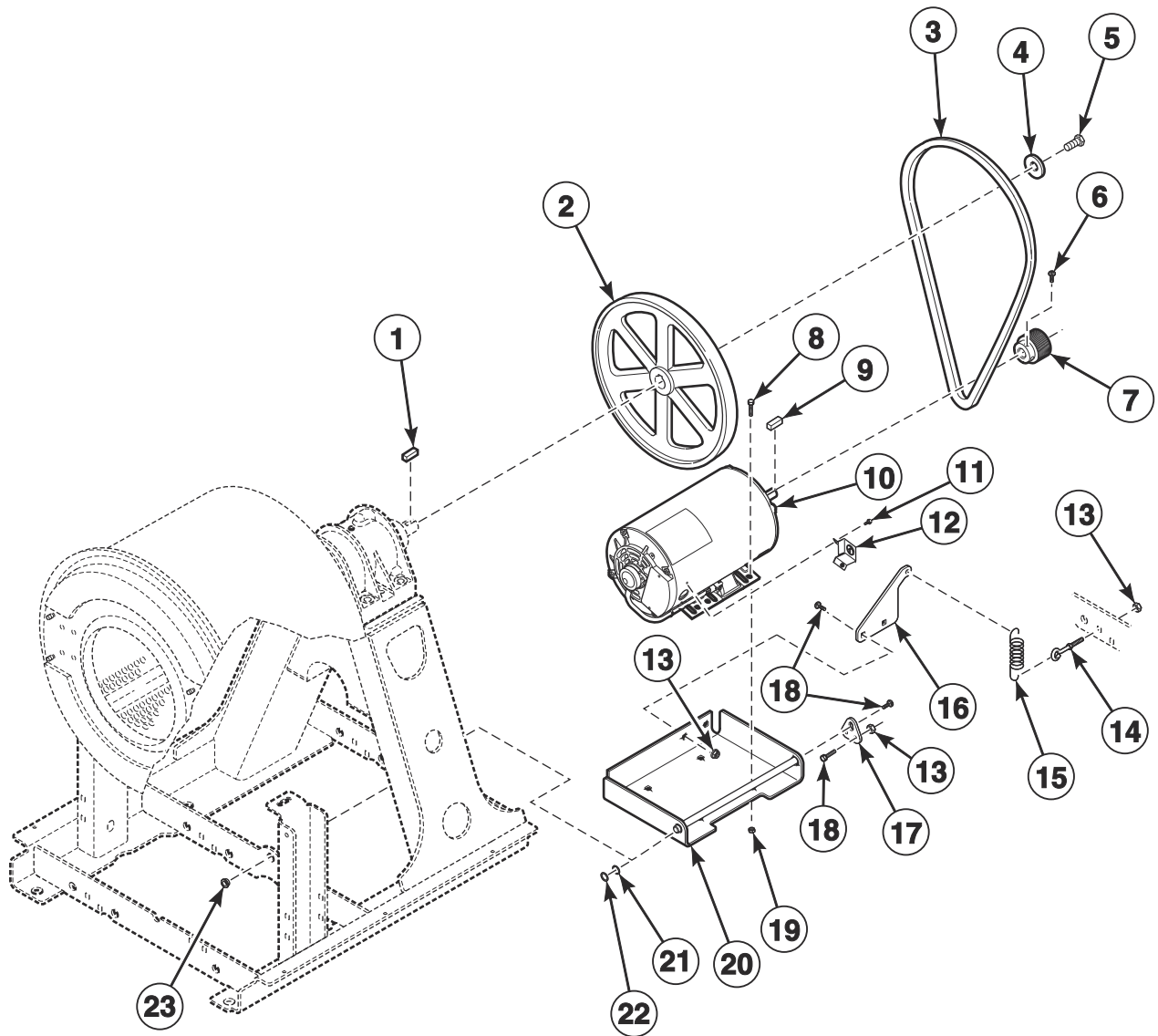
CHM3393P_F8639901

Double Check Valve

REF	PART NO.	DESCRIPTION	COMMENTS
1	F8301201	Double Check Valve	

Motor, Pulley and Belt (Drawing 1 of 3)

20 Pound Models with N and P-Voltage, 30, 40 and 60 Pound Models Through September 30, 2014



CHM3385P_F8639901

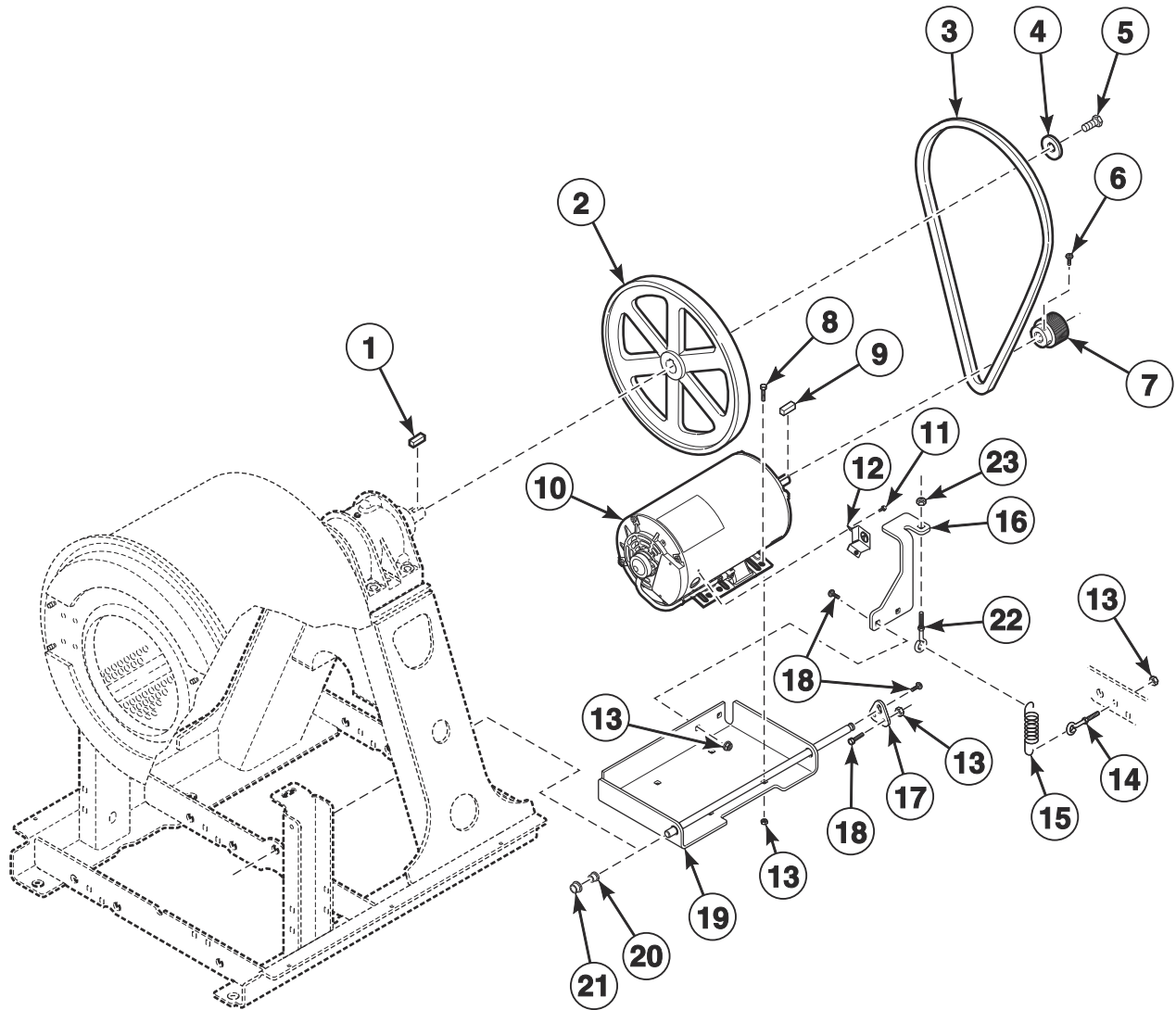
Motor, Pulley and Belt (Drawing 1 of 3)

REF	PART NO.	DESCRIPTION	COMMENTS
	F8396601	Motor Harness	30 and 40 pound models N and P-voltage; 20 and 60 pound models
	F8384901	Motor Harness	30 and 40 pound models; B, X and Q-voltage
1	F430801	Key	
2	F150270	Basket Pulley	20 pound models
	F150269	Basket Pulley	30 and 40 pound models
	F200299700	Basket Pulley	60 pound models
3	F200201700P	Belt	20 pound models
	F8382803	Belt	30 pound models
	F8382804	Belt	40 pound models
	F8382805	Belt	60 pound models
4	F431115	Washer	
5	F8574001	Screw	
6	M400077	Screw	
7	F8362501	Motor Pulley	
8	800461	Screw	
9	H8752006H	Key	
10	F8335001P	Motor	20, 30 and 40 pound models
	F8335101P	Motor	60 pound models
11	23222	Screw	
12	70321701	Motor Conduit Mounting Bracket	
13	44087201	Nut	
14	F8351902	Eye Bolt	
15	F310124	Extension Spring	
16	F8363901	Spring Plate	
17	F8441101	Motor Rod Plate	
18	F8402801	Bolt	
19	F8387601	Nut	
20	F8441601	Motor Bracket Weldment	20 and 30 pound models
	F8562501	Motor Isolation Kit	20 and 30 pound models; Includes F8535001 Motor Plate and F8535201 Isolator; Use with 2 hp motors
	F8562502	Motor Isolation Kit	40 and 60 pound models; Includes F8535002 Motor Plate and F8535201 Isolator; Use with 2 and 3 hp motors
21	F8441901	O-Ring	
22	F8333301	Flanged Bushing	
23	F8451601	Spacer	

**** NOTE: AC drive parameters must be compatible with the motor and motor pulley. Please request the AC drive parameter illustration for parameter verification when ordering a motor.**

Motor, Pulley and Belt (Drawing 2 of 3)

20 Pound Models with N and P-Voltage; 30, 40 and 60 Pound Models Starting October 1, 2014



CHM3446P_F8639901

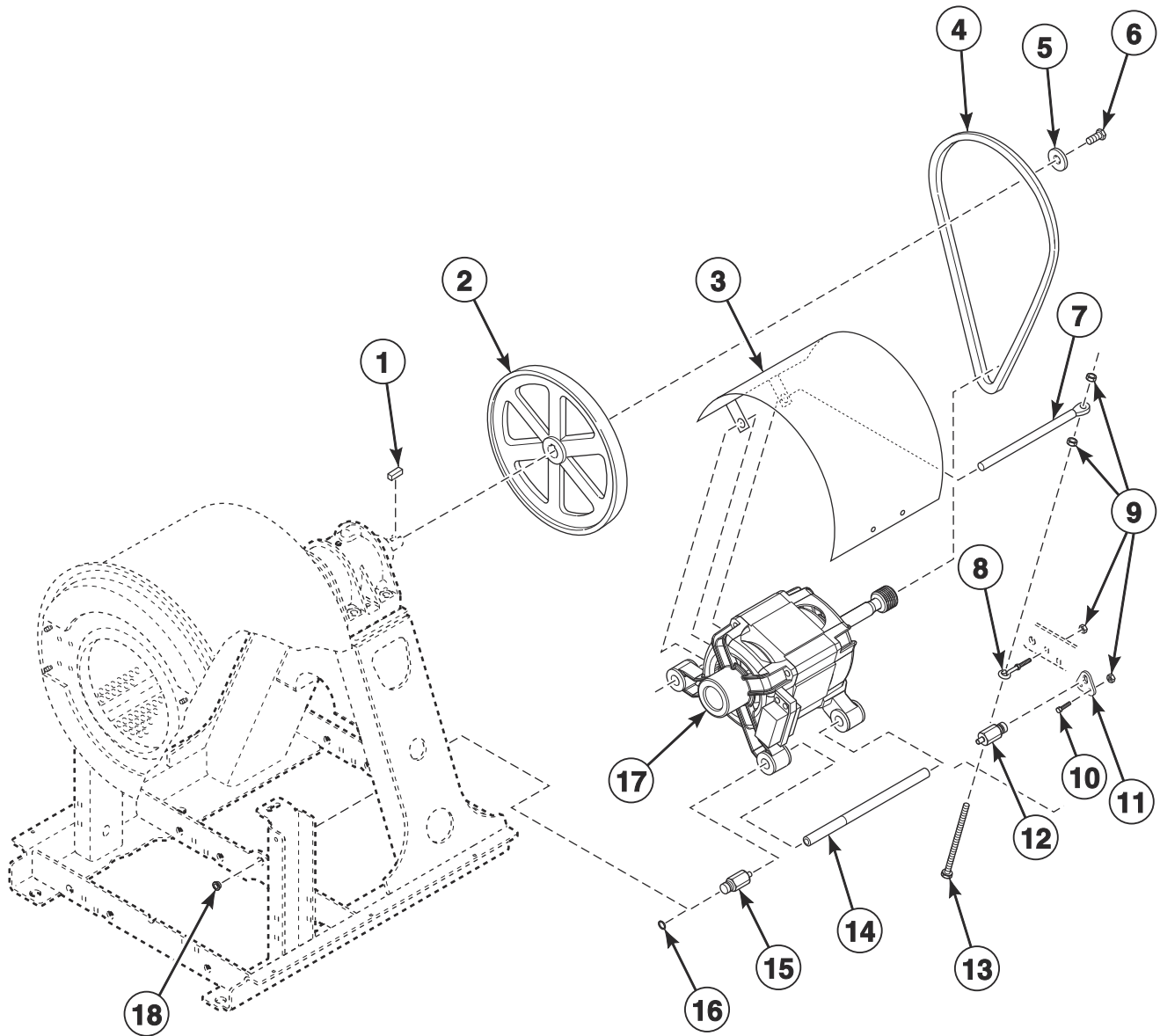
Motor, Pulley and Belt (Drawing 2 of 3)

REF	PART NO.	DESCRIPTION	COMMENTS
	F8562501	Motor Isolation Kit	20 and 30 pound models; Includes F8535001 Motor Plate and F8535201 Isolator; Use with 2 hp motor
	F8562502	Motor Isolation Kit	40 and 60 pound models; Includes F8535002 Motor Plate and F8535201 Isolator; Use with 2 hp motor
	F8396601	Motor Harness	30 and 40 pound models N and P-voltage; 20 and 60 pound models
	F8384901	Motor Harness	30 and 40 pound models; Q and X-voltage
1	F430801	Key	
2	F150270	Basket Pulley	20 pound models
	F150269	Basket Pulley	30 and 40 pound models
	F200299700	Basket Pulley	60 pound models
3	F200201700P	Belt	20 pound models
	F8382803	Belt	30 pound models
	F8382804	Belt	40 pound models
	F8382805	Belt	60 pound models
4	F431115	Washer	
5	F8574001	Screw	
6	M400077	Screw	
7	F8362501	Motor Pulley	
8	F8402801	Bolt	
9	H8752006H	Key	
10	F8335001P	Motor	20, 30 and 40 pound models
	F8335101P	Motor	60 pound models
11	23222	Screw	
12	70321701	Motor Conduit Mounting Bracket	
13	44087201	Nut	
14	F8351902	Eye Bolt	
15	F310124	Extension Spring	
16	F8525801	Spring Plate	
17	F8441101	Motor Rod Plate	
18	F8402801	Bolt	
19	F8441603	Motor Bracket Weldment	20 and 30 pound models
	F8441604	Motor Bracket Weldment	40 and 60 pound models
20	F8535202	Flanged Isolator	
21	F8333302	Flanged Bushing	
22	F8319503	Eye Bolt	
23	44087301	Nut	

**** NOTE: AC drive parameters must be compatible with the motor and motor pulley. Please request the AC drive parameter illustration for parameter verification when ordering a motor.**

Motor, Pulley and Belt (Drawing 3 of 3)

20 Pound Models with B, Q and X-Voltage



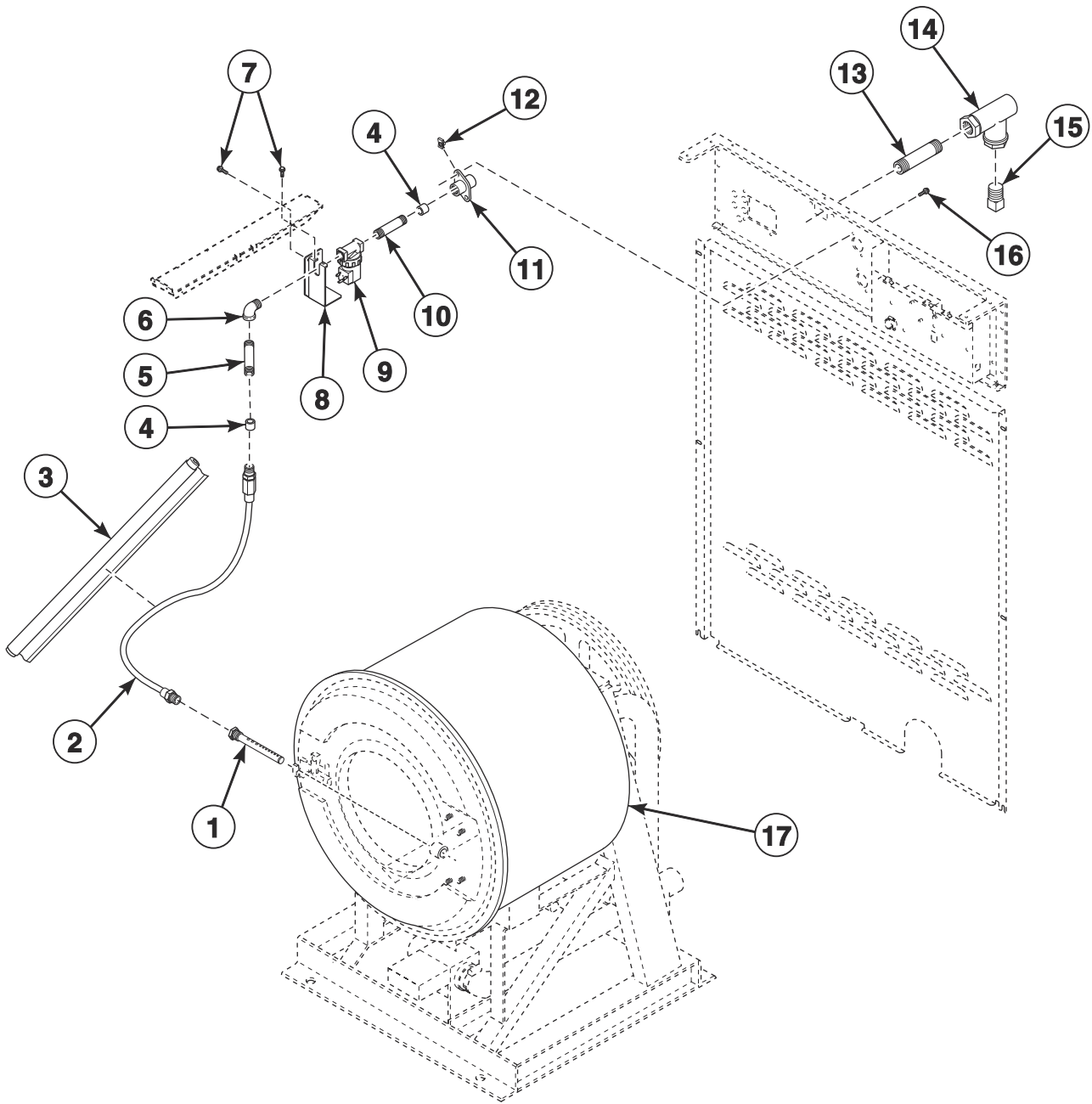
CHM3450P_F8639901

Motor, Pulley and Belt (Drawing 3 of 3)

REF	PART NO.	DESCRIPTION	COMMENTS
	F8384801	Motor Harness	
1	F430801	Key	
2	F150270	Basket Pulley	
3	F200216900	Motor Drip Shield	
4	F8382801	Belt	
5	F431115	Washer	
6	F8574001	Screw	
7	F8361301	Spring Mount Rod	
8	F8404501	Eye Bolt	
9	44087201	Nut	
10	F8402801	Bolt	
11	F8441101	Motor Rod Plate	
12	F8387101	Motor Rod Extension	
13	F8406601	Screw	
14	801062	Motor Mount Rod	
15	F8562504	Motor Isolation Kit	Includes F8387104 Motor Rod Adapter and F8535201 Isolator
16	F8333302	Flanged Bushing	
17	801194P	Induction Motor	Includes pulley
18	F8451601	Spacer	

**** NOTE: AC drive parameters must be compatible with the motor and motor pulley. Please request the AC drive parameter illustration for parameter verification when ordering a motor.**

Steam Heat Option

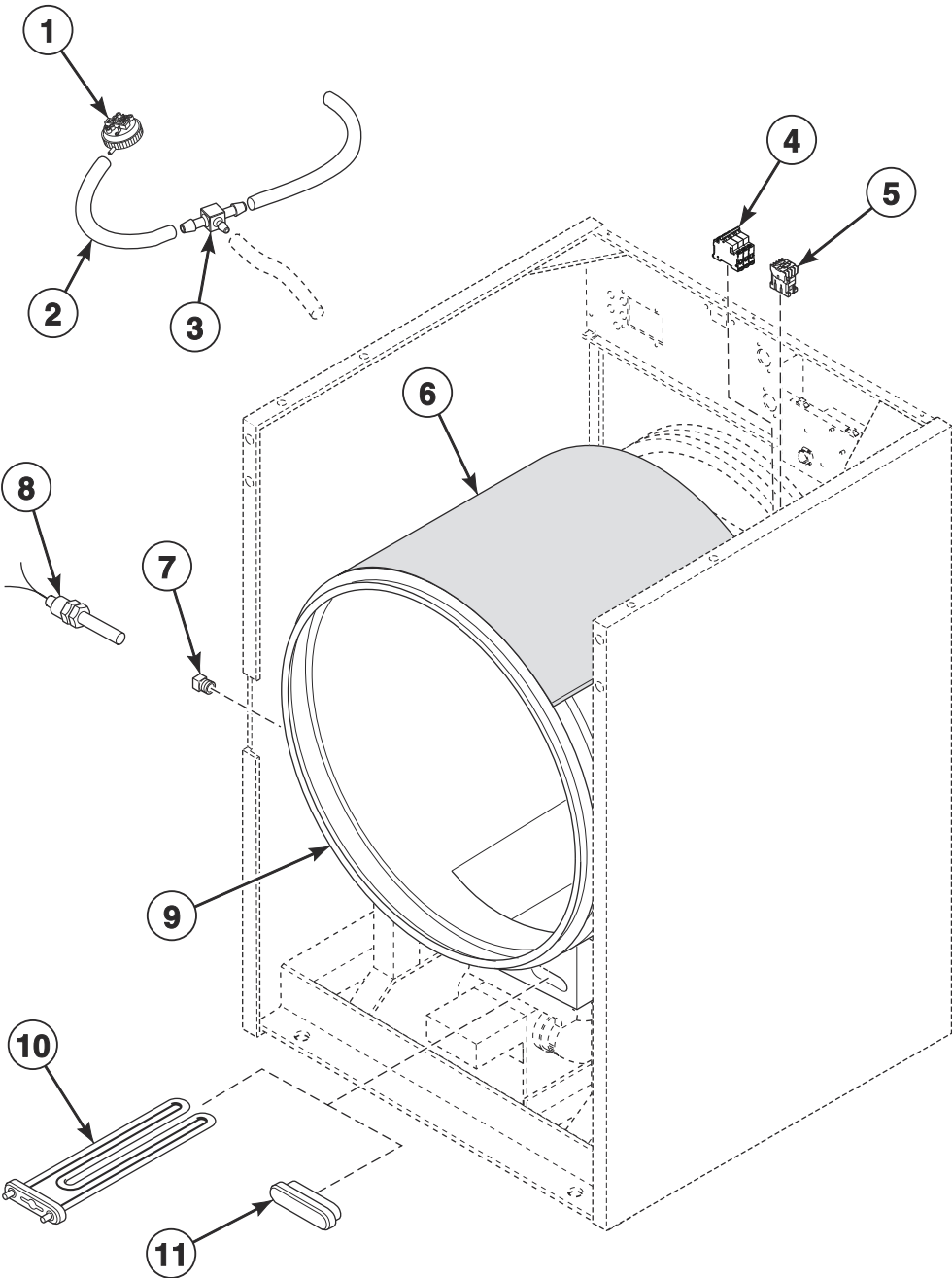


CHM3404P_F8639901

Steam Heat Option

REF	PART NO.	DESCRIPTION	COMMENTS
	F953P3	Steam Heat Kit	Includes items 1-4, 6, 8-11, 13, 15-17, 70139601 Nipple, F421703 Elbow, 430997 Screw, F8025201 Washer, F8211503 Steam Assembly, labels and harness
	F380984P	Steam Valve Repair Kit	Use with item 9
	F8514601P	Coil	Use with F8322801 Valve
	F8382301	DIN Valve Adapter Kit	Use with F8322801 Valve
	F8379501P	Valve Kit	Use with F8322801 Valve
1	F8368201	Steam Injector Tube Assembly	
2	F200197	Steam Hose	60 pound models
3	F8233700	Pipe Insulation	
4	F8116301	Coupling	60 pound models
5	F8110601	Nipple	60 pound models
6	H86070034	Street Elbow	
7	430497	Screw	
8	F8490301	Steam Bracket	
9	F8322801P	Valve	Includes F8514601 Coil; For models that have been upgraded with F8521601 DIN Valve Kit
	F8521801	DIN Valve Kit	Includes F8322801 Steam Valve, F8382301 DIN Valve Adapter Kit and F8514601 Coil
10	70263801	Pipe Nipple	
11	F8362701	Coupling	
12	70030401	Nut	
13	431486	Pipe Nipple	
14	F270307	Steam Filter	
15	F420409	Plug	
16	20253	Screw	
17	F8360602	Shell Weldment	20 pound models
	F8360702	Shell Weldment	30 pound models
	F8360802	Shell Weldment	40 pound models
	F8360902	Shell Weldment	60 pound models

Electric Heat Option



CHM3429P_F8639901

Electric Heat Option

REF	PART NO.	DESCRIPTION	COMMENTS
	F8056001	Jumper Wire	P-voltage models require 5; N-voltage models require 3
1	F8404401	Water Pressure Switch	
2	F8153901	Tubing	
3	F8246601	Tee	
4	70256901P	Circuit Breaker	
5	F330188P	Contactator	
6	F410300	Pipe Insulation	
7	F200202600	Plug	
8	F370609	Thermistor Sensor	
9	F8360602	Shell Weldment	20 pound models
	F8360702	Shell Weldment	30 pound models
	F8360802	Shell Weldment	40 pound models
	F8360902	Shell Weldment	60 pound models
10	F360205P	Element	2.6 kW; 3 used in 20 and 30 pound models; 6 used in 40 and 60 pound models
11	F360202	Heating Element Plug	

Parts Index

A

Access Cover	
F8047801	53

B

Basket and Bearing Assembly	
F980204341	39, 41
F980204342	39, 41
F980204343	39, 41
F980204344	39, 41
Basket Assembly	
F8391301P	39
F8391303	39
F8391501P	39
F8391503	39
F8391701P	39
F8391703	39
F8502801	39
F8502804	39
Basket Puller Tool	
F460129P	39
Basket Pulley	
F150269	57, 59
F150270	57, 59, 61
F200299700	57, 59
Basket Pulley Puller Tool	
F8608502P	39, 41
Basket Rental Tool Kit	
390P4-1	39, 41
Basket Tool Kit	
389P4	39, 41
Bearing	
F100108	41
F100123P	41
F100134	41
F100135	41
F100136P	41
F100137P	41
Bearing Housing	
F8246802	41
F8247902	41
F8249902	41
F8250902	41
Bearing Housing Assembly	
F8271601P	41
F8271602	41
F8271701P	41
F8271702	41
F8271801P	41
F8271802	41
F8271901P	41
F8271902	41
Bearing Sleeve	
F8221701	31, 33, 35
Belt	
F200201700P	57, 59
F8382801	61
F8382803	57, 59
F8382804	57, 59

F8382805	57, 59
Blind Rivet	
F8245101	31, 33, 35
Bolt	
F200182700	47, 49
F430522	45
F430974	31, 33, 35
F8230501	29
F8270701	37
F8402801	45, 57, 59, 61
F8508101	31, 33, 35
Bracket	
F8365401	45
F8365402	45
F8434601	45
F8434701	45
F8599801	11

C

Cap	
F8197701	53
Card Plate Assembly	
F8201501	21
Card Reader Overlay	
70334201	21
70523601	21
Circuit Breaker	
70256901P	13, 65
Clamp Ring Assembly	
F8388001	39
F8388002	39
F8388003	39
F8388004	39
Clamp Ring Bracket	
F8302401	39
Coil	
F8514601P	63
Coin Box	
F160672	23
Coin Chute	
F8170801	11
Coin Drawer Assembly	
F8182001	23
Coin Drop	
70256402P	17
70441601P	15
Coin Drop Assembly	
210195	17
210196	17
38462P	15
38463	15
38464P	15
38472	17
38521	17
39157	17
70281102	17
Coin Drop Overlay	
39564	25
Coin Identification Paper	
38725	15, 17, 19

N/A items do not appear in index.

Coin Meter		DIN Valve Kit	
F0160737-00.....	17	F8521801	63
Coin Meter Assembly		Dispenser Assembly	
F200010000P	15	F8047401	53
F200010001	17	F8047402	53
F200010002	17	Dispenser Gasket	
F200010003	17	F8308301	53
F200010004	17	Dispenser Lid	
F200010005	17	F8048101	29
F200010006	15	Dispenser Overflow Hose	
F200010007	15	F8043401	53
F200010008	17	F8043403	53
F200010009	15	F8043404	53
F200010010	17	Door	
F200010011	15	F0602431-02	31
F200010012	15	F0602837-02	33
F200021600P	19	F602842-2	35
F200021601	19	F8507501P	31
F200021602	19	F8507601	33
F200021603	19	F8507701	35
F200021604	19	F8507702	35
F200021605	19	Door Assembly	
F8238601	19	F8187202	31
Coin Vault Assembly		F8187204	31
F8182501	11	F8187205	31
F8182601	11	F8187302	33
Communication Harness		F8187304	33
F8385102	13	F8187305	33
Concrete Kit		F8187402	35
1111P	43	F8187404	35
Contactactor		F8187405	35
F330177P	13	Door Bezel	
F330188P	65	F0170426-00	25, 27
Control Assembly Kit		F0170426-10	25
F980P3	11	F170416-1	25, 27
Control Panel Assembly		F170416-3	25
F8038502	25	F170417-1	25, 27
F8038504	27	F170417-3	25
F8038602	25	Door Gasket	
F8038604	27	F200000202	31
F8038702	25	F8111502	35
F8038704	27	F8111602	33
F8038802	25	Door Glass	
F8038804	27	F8341701	31
Control Panel Overlay		F8485301P	33
F8226902	25	F8485401P	35
F8577101	25	Door Glass Kit	
Control Tray Assembly		F290205P	31
F8359702	11	Door Handle	
F8359704	11	F8199401P	31, 33, 35
F8359707	11	Door Handle Spacer Kit	
Control Tray Harness		F8567501	31, 33, 35
F8261501P	11, 13	Door Hinge	
Coupling		F190216P	31, 33, 35
F8116301	63	Door Hinge Shim Kit	
F8362701	63	F200131000P	31, 33, 35
		Door Latch Arm Assembly	
		F8221401	31, 33, 35
		Door Lock Assembly	
		F8340501	37
		Door Lock Catch	
		F8344501	37
		Door Lock Cover	
		F8245001	37

D

Diaphragm and Guide Kit	
G582P3	53
DIN Rail	
F8385301	13
DIN Valve Adapter Kit	
F8382301	63

N/A items do not appear in index.

Door Lock Microswitch F200203200	37
Door Lock Plate Assembly F8223202	37
Door Lock Plate Shim F8344401	37
Door Lock Solenoid Replacement Kit F977P3	37
Door Lock Splash Shield F320200	37
Door Lock Switch Lever F8223401	37
Door Mount F150271	31, 33, 35
Double Check Valve F8301201	55
Dowel Pin F8388101	41
F8388201	41
Drain Connect Tee F150318	45
Drain Hose F200165100	45
F8232901	45
F8261302	45
F8261303	45
F8464701	45
Drain Seal Kit F8562001	49
Drain Tee F150398	45
Drain Valve F8406307	49
Drain Valve Cover F200133600	47, 49
Drain Valve Kit F8577201	49
Drain Valve Motor F380933P	47, 49
F8618901P	47, 49
Drive Assembly F8204701P	13
F8303601P	13
F8327301P	13
Drive Mounting Bracket F8322401	13
Drive Tray Assembly F8359801	13
F8359802	13
F8359803	13

E

Earth Terminal Sticker M412096	9
Electric Shock Danger Label F8115501	9
Electronic Coin Drop Assembly 70294103P	19
70294104	19
70294105P	19
70294106	19
70294107	19

70294109	19
70294111	19
70294119	19
Electronic Coin Drop Kit CK099	19
CK100	19
CK101	19
CK103	19
CK106	19
CK109	19
CK110	19
CK113	19
CK115	19
CK119	19
CK500	19
Element F360205P	65
EMI Filter F8053901P	13
F8053902	13
End Stop F8449801	13
Excluder Seal F8336801	39
F8336802	39
F8336901	39
F8336902	39
F8337001	39
F8337002	39
F8337101	39
F8527701	39
Expansion Clip 70030501	11, 13, 25, 27, 29
Extension Spring F310124	57, 59
External Door Lock Harness F8340001	37
External Supply Connection Decal F8150201	9
External Supply Harness F8191201P	11, 13
External Supply Kit F937P3	11
Eye Bolt F8319503	59
F8351902	57, 59
F8404501	61

F

Fill Hose Kit F8544601	51
Filter F8454401	53
Flanged Bushing F8333301	57
F8333302	59, 61
Flanged Isolator F8535202	59
Frame Template F8433301	43
F8433401	43
F8433501	43
F8433601	43

N/A items do not appear in index.

Frame Weldment	
F8247002	43
F8248002	43
F8249001	43
F8250002	43
Front Cabinet Brace	
F8173801	25, 27
F8173901	25, 27
F8174001	25, 27
Front End Control Kit	
F102P3	11
F103P3	11
Front Panel	
F8171301	25
F8173001	25
F8173002P	27
F8173003	25
F8173008	27
F8173009	25
F8173101P	25
F8173102P	27
F8173107	25
F8173108	27
F8173201P	25
F8173202P	27
F8173207	25
F8173208	27
F8492301	25
F8492302	27
F8492307	25
F8492308	27
Fuse	
802492	11
802493	11

G

Gravity Drain Valve	
803292	47
Grommet	
F8433001	11
Ground Decal	
F230739	9
Ground Lug Connector	
M411283	53
Gusset Plate	
F8186701	27
F8186702	25, 27

H

Harness	
F8454601	53
Heating Element Plug	
F360202	65
Hole Plug	
F8223801	29
Hose	
F606816-1	53
F8232001	53
F8232002	53
F8232004	53
F8405301	11

Hose Barb Connector	
F8431001	11
Hose Clamp	
F200201	45
F200213	45, 53
F200215	45, 49
F200222	53
20211	53
36801	53
Hot Surface Warning Plate	
F8211901	9

I

Induction Motor	
801194P	61

J

Jumper Configuration Assembly	
M413507	11, 13
Jumper Harness	
511476	21
Jumper Harness Assembly	
M413506	11, 13
Jumper Wire	
F8056001	65

K

Key	
F160420	23
F430801	57, 59, 61
H8752006H	57, 59
70155603	29

L

Left Side Panel	
F8399202	29
F8399204	29
F8399302	29
F8399304	29
F8399402	29
F8399404	29
F8399502P	29
F8399504	29
F8492402	29
F8492404	29
Lid Clamp	
F8091701	29
Lower Cabinet Brace	
F8174101	25, 27
Lower Drive Mounting Bracket	
F8310101	13

N/A items do not appear in index.

M

Machine Size Configuration Harness	
F8028101P	11, 13
F8028103P	11, 13
F8028104P	11, 13
F8028105P	11, 13
Magnet	
F8390801	31, 33, 35
Manifold	
F8333201	53
Motor	
F8335001P	57, 59
F8335101P	57, 59
Motor Bracket Weldment	
F8441601	57
F8441603	59
F8441604	59
Motor Conduit Mounting Bracket	
70321701	57, 59
Motor Drip Shield	
F200216900	61
Motor Harness	
F8384801	61
F8384901	57, 59
F8396601	57, 59
Motor Isolation Kit	
F8562501	57, 59
F8562502	57, 59
F8562504	61
Motor Mount Rod	
801062	61
Motor Pulley	
F8362501	57, 59
Motor Rod Extension	
F8387101	61
Motor Rod Plate	
F8441101	57, 59, 61
Mount On Concrete Warning Label	
F8246401	9
Mounting Plate	
70208801	21

N

Nipple	
F8110601	63
Nut	
F0431807-00	53
F430215	31, 33, 35
F430218	39
F430225	37
F430232	11, 31, 33, 35, 37, 53
F430264	37
F431041	31, 33, 35
F8387601	41, 57
F8387701	41
44087201	45, 57, 59, 61
44087301	43, 59
685846	15, 17, 19
70030401	45, 63

O

Opto Coupler	
200674P	15, 17
O-Ring	
F8441901	57
Output/Logic Harness	
F8028701	11, 13
Overflow Hose	
F8367201	45
F8367901	45
F8368001	45
Overlay	
F8227002	25
F8227102	25
F8227202	25
F8445801	25
F8445802	25
F8445803	27
F8445901	25
F8445902	25
F8445903	27
F8446001	25
F8446002	25
F8446003	27
F8446101	25
F8446102	25
F8446103	27
F8587801	25
F8587802	25
F8587803	27
F8587901	25
F8587902	25
F8587903	27
F8590201	25
F8590202	25
F8590203	27
70295101	19
70295301	19

P

Panel Lock	
44089303P	29
Pin	
F8302701	39
Pipe Insulation	
F410300	65
F8233700	63
Pipe Nipple	
431486	63
70263801	63
Plug	
F200202600	65
F420409	63
F8223901	29
M400985	29
Pop Rivet	
F431223	31, 33, 35
70058501	11, 15, 17
70412601	25, 27
Pressure Bulb	
30907	11

N/A items do not appear in index.

P-Trap Hose	
F8042201	53
F8042202	53
F8042204	53
F8042301	53
Pulse Expander Assembly	
F8034701P	19
Pushbutton Switch	
70413301	29

R

Radial Seal	
F8203808	41
Rear Drain Hose	
F8231904	45
F8231905	45
F8365601	45
F8365602	45
Rear Panel	
F8352801	29
F8362401	29
F8365201	29
F8367101	29
F8492501	29
Reed Switch Assembly	
F8066802	31, 33, 35
Retaining Ring	
F8337801	41
F8337901	41
F8344901	41
F8345001	41
Right Side Panel	
F8399201	29
F8399203	29
F8399301	29
F8399303	29
F8399401	29
F8399403	29
F8399501	29
F8399503	29
F8492401	29
F8492403	29
Rod	
F602813-2	31, 33
F602813-3	35

S

Screw	
F430174	25, 27
F430532	31
F430533	33, 35
F430536	31, 33, 35
F430909	53
F430956	37
F430977	37
F8117601	25, 27
F8206901	11, 13, 29, 53
F8230301	53
F8230601	29
F8368701	41
F8368801	41
F8406601	61

F8442702	43
F8535501	31, 33, 35
F8535601	53
F8574001	57, 59, 61
F8621601	43
M400077	57, 59
202175	45
20253	63
23222	57, 59
430497	63
431287	29
503688	13
800461	57
800462	39
800548	53
801019	25
Seal Scupper Pad	
F8350301	41
F8350302	41
F8350303	41
Shaft Seal Sleeve	
F8343914	39
Shaft Seal Sleeve Kit	
F8343901P	39
F8343904P	39
F8343906P	39
F8343909P	39
Shell Band Kit	
F741701	39
F8537801	39
F8537802	39
F8537804	39
Shell Front Assembly	
F8229401	39
F8229501	39
F8229601	39
F8229701	39
Shell Front Gasket Kit	
F8513501	39
Shell Weldment	
F8360601	43
F8360602	43, 63, 65
F8360701	43
F8360702	43, 63, 65
F8360801	43
F8360802	43, 63, 65
F8360901	43
F8360902	43, 63, 65
Shim	
F8484401	37
Siphon Cover	
F8047901	53
Snap Bushing	
44071501	11
Solenoid	
F8340101	37
Spacer	
F431901	37
F8451601	57, 61
Spring	
F8504601	47
Spring Mount Rod	
F8361301	61
Spring Pin	
F431222	31, 33, 35

N/A items do not appear in index.

Spring Plate	
F8363901	57
F8525801	59
Steam Bracket	
F8490301	63
Steam Filter	
F270307	51, 63
Steam Heat Kit	
F953P3	63
Steam Hose	
F200197	63
Steam Injector Tube Assembly	
F8368201	63
Steam Valve Repair Kit	
F380984P	63
Street Elbow	
H86070034	63
Stud	
70334702	45
Supply Overflow Hose	
F8043405	53

T

Tee	
F8246601	11, 65
Terminal Block	
430642	53
Terminal Tray Cover	
F8177001	53
Terminal Tray Cover Gasket	
F8230001	53
Thermistor Sensor	
F370609	65
Top Cabinet Brace	
F8043501	29
F8043701	29
F8043801	29
F8043901	29
Top Cover	
F8017401	29
F8040201	29
F8040301	29
F8040401P	29
Top Cover Hinge	
F8258601	29
Top Cover Latch	
F8201001	25, 27
Torsion/Door Lock Spring	
F8070301	37
Transformer	
F8401301	13
201616P	11
803527P	11
Tray Support Bracket	
F8375201	11
Triple Lip Seal	
F8203801	41
F8203802	41
F8203803	41
F8203806	41
F8203813	41
F8203814	41

F8203815	41
Tubing	
F8153901	11, 65

U

USB IR Interface Kit	
203346	11, 13
Use Copper Conductors Only Caution Label	
F8242201	9

V

Vacuum Breaker Hose	
F0200244-01	53
F0200244-02	53
Vacuum Supply Hose	
F8042801	53
F8042803	53
F8042804	53
F8042805	53
Valve	
F8322801P	63
Valve Kit	
F8379501P	63
Valve Panel	
F8398701	53
F8398801	53
F8398901	53
F8399001	53
Valve, 3-Way	
F8286401P	53
F8286402P	53
Vault/FBS Jumper Harness	
F8191402	21

W

Warning Label	
F8207901	9
F8233501	9
44127701	9
Washer	
F430339	41
F431113	31, 33, 35
F431115	57, 59, 61
F431902	37
F431916	31, 33, 35
F431929	31, 33, 35
F8201101	25, 27
F8366601	41
F8402701	43
M400081	39, 43
M405535	45
803615	51, 53
Water Hose	
F200116	51
F200165	51

N/A items do not appear in index.

Water Pressure Switch
F8404401 11, 65
